



CCT adjusting detail



## Description

Our DISC downlight is a lighting fixture designed to work with a 120V AC power source and is available in 15 watts. It is TRIAC dimmable and has 5CCT options. The DISC downlight is versatile in its installation options, 6" junction boxes and capable of replacing 6" surface mount downlights. It is also compatible with 5" and 6" downlight housings and can replace most 5" and 6" recessed downlights. This product is an excellent choice for various lighting applications in both residential and commercial settings.

## Features

1. Good heat dissipation
2. Excellent thermal management to ensure long lifetime of LED
3. Selectable color temperature (2700K, 3000K, 3500K, 4000K, 5000K)
4. High color rendering
5. Triac dimmable

## Applications

1. Hotel
2. Corridor
3. Home Decoration
4. Shopping Mall
5. Exhibition Room

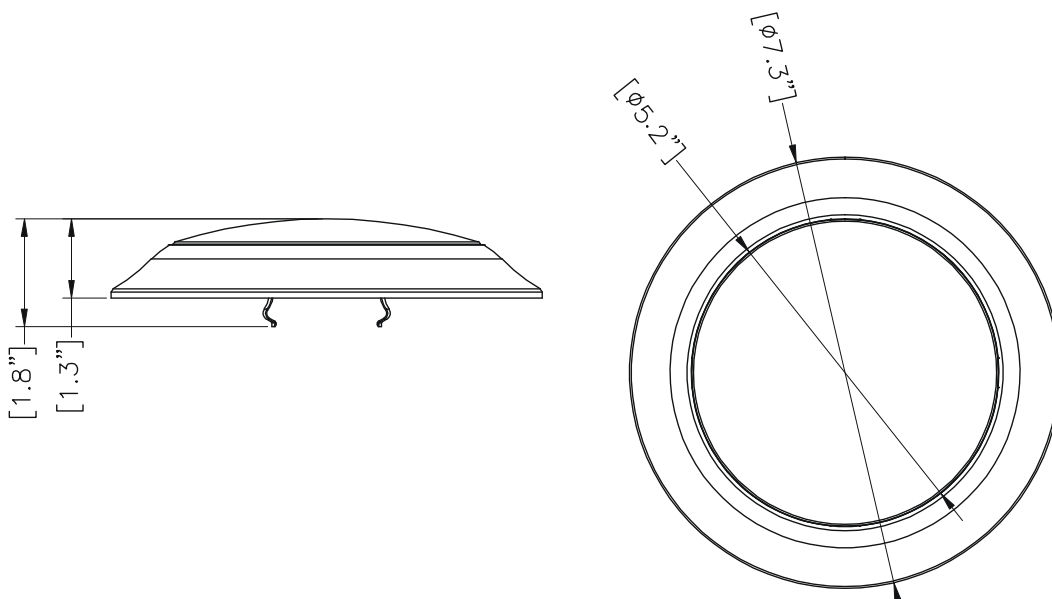
## Technical parameters

SKU	CCT	Lumens	Beam Angle	LED Type	Power	Voltage, Frequency	CRI	RF	Dimming Type	Control method
DK-SC-15W-5CCT-WHT	2700K	975LM	110°	2835	15W	AC120V /60Hz	≥90	>0.8	Triac dimmable	Change color temperature by dial switch
	3000K	1080LM								
	3500K	1275LM								
	4000K	1290LM								
	5000K	1100LM								

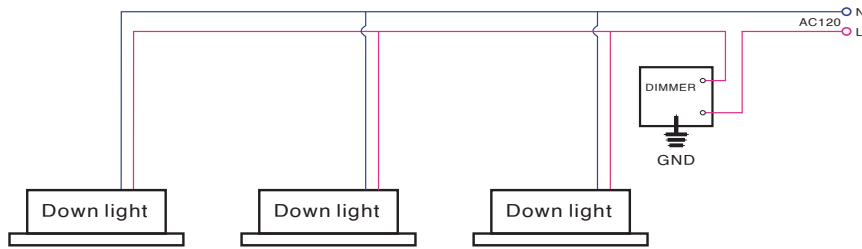
## Application Photos



## Dimensions (Unit: inch)



## Electrical Connection:



**Figure 1**  
Recessed Housing  
Installation

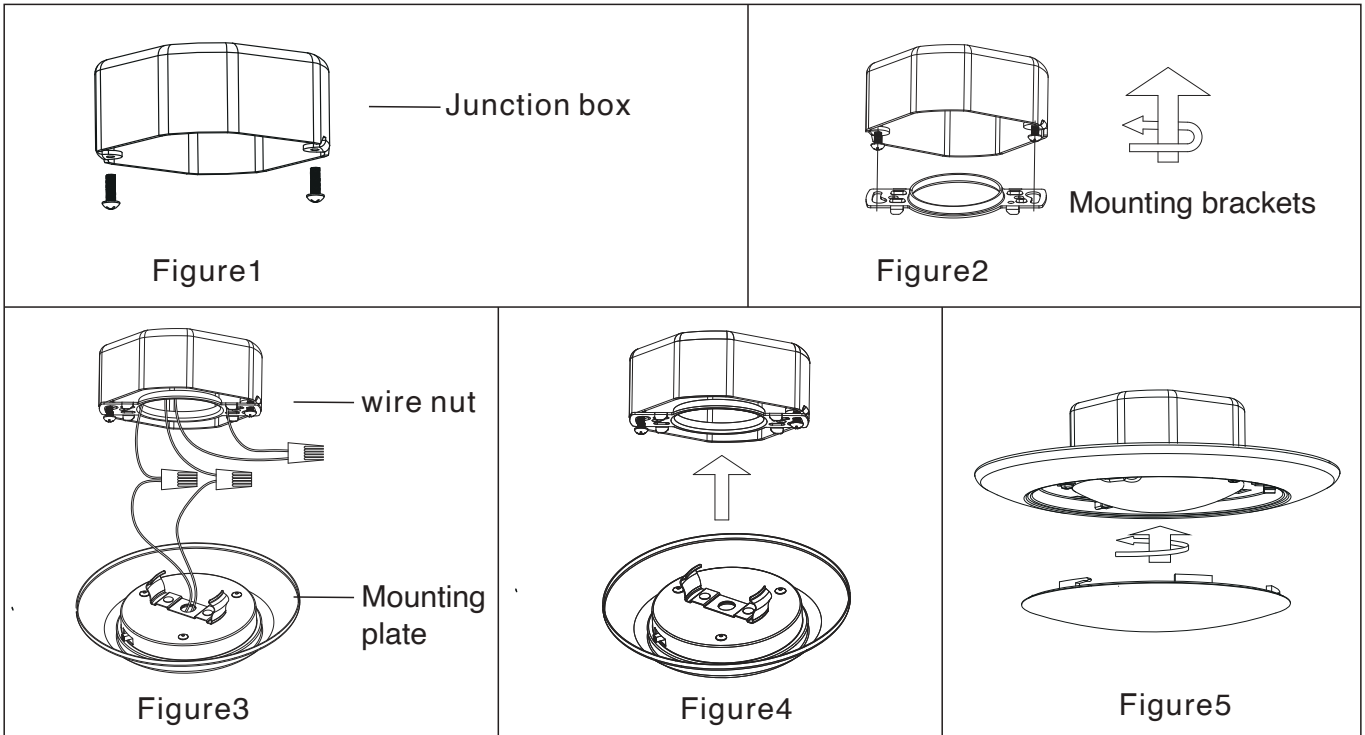


**Figure 2**  
Junction Box  
Installation

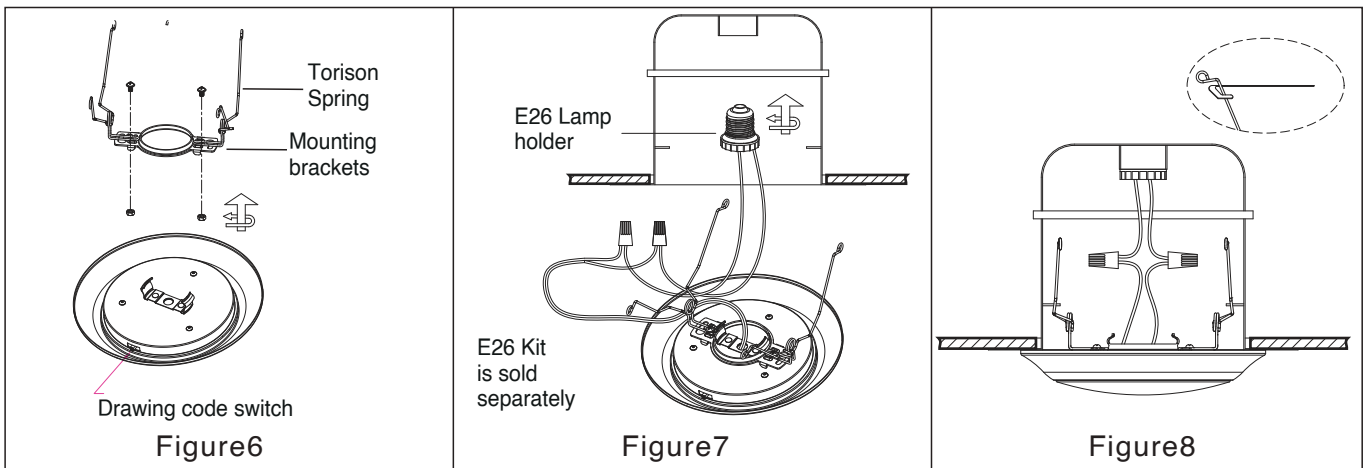


## Installation Drawing

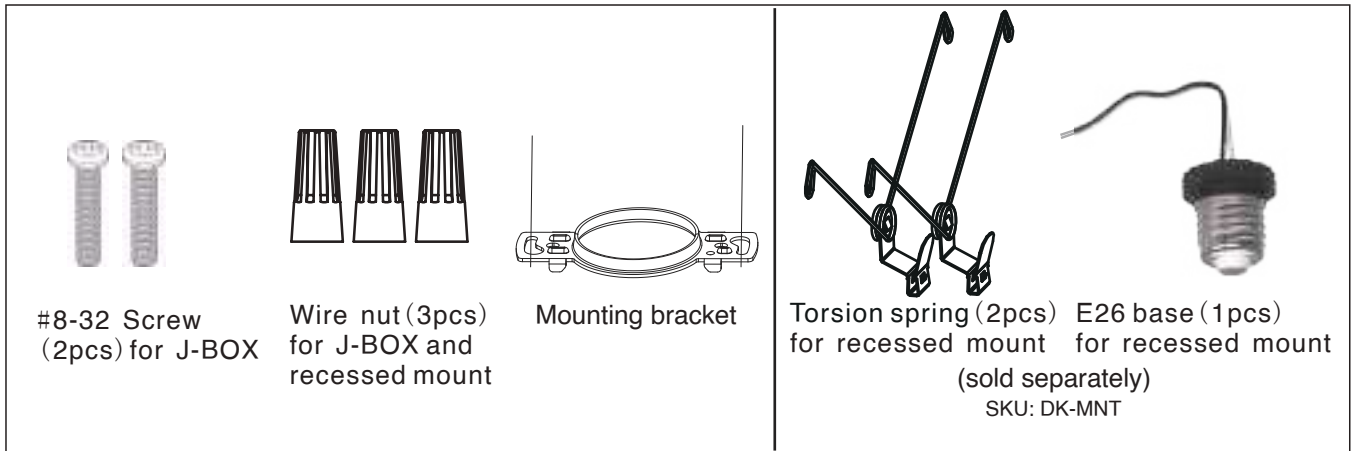
### 1. Installation for junction box:



### 2. Installation for recessed mount:



## Accessories



## Packing information:

Model	Inner box dimension	Unit net weight	Carton box dimension	Packing qty.	Carton box gross weight
DK-SC	7.48*196*7.67"	0.47 lbs	20.6*15.7*16.1"	40PCS	35 lbs

## ! WARNING

- "WARNING - Risk of fire or electric shock. LED Retrofit Kit installation requires knowledge of luminaire electrical systems. If not qualified, do not attempt installation. Contact a qualified electrician." or equivalent in Format S24-L5.
- "WARNING - Risk of fire or electric shock. Install this kit only in luminaires that have the construction features and dimensions shown in the photographs and/or drawings and where the input rating of the retrofit kit does not exceed the input rating of the luminaire." or equivalent in Format S24-L5.
- "Do not make or alter any open holes in an enclosure of wiring or electrical components during kit installation." Verbatim in Format S24-L5.
- "WARNING - To prevent wiring damage or abrasion, do not expose wiring to edges of sheet metal or other sharp objects." or equivalent in Format S24-L5.
- "This product must be installed in accordance with the applicable installation code by a person familiar with the construction and operation of the product and the hazards involved" or equivalent in Format S24-L4.