

WALL PACK LED LIGHT

Description:

Our LED Slim Full Cutoff Wall Pack comes in two options. Both options are CCT adjustable, select between 3000K, 4000K, and 5000K. You can also select between wattage of 40%, 60%, 80%, and 100%. The Full Cutoff design minimizes light pollution and glare. Emergency egress batteries are also available, sold separately. The 38W model is very slim, less than 4 inches, meeting the ADA (American Disability Act) lighting requirements. Wattage selectable from 16W to 38W, see chart below for wattage and lumen output. Also, our 100W option is also slim, 5 inches from the wall. Wattage selectable from 42W to 100W, see chart below for wattage and lumen output.



Features:

- Two-piece die-cast aluminum housing secures the thermally conductive LED panel and electrical chamber.
- Casting thermally conducts LED heat to optimize performance and long life.
- Suitable for applications requiring 3G testing prescribed by ANSI C136.31.
- Scalable Lumen Packages.
- Anti-UV prismatic translucent lens is designed to shape the light distribution and uniformity
- Estimated 50,000-hour LED lifespan based on IES LM-80 results and TM-21 calculations
- Optional Photocell
- Optional Emergency Battery
- 1-10V Dimming
- Operating Temperature Range: -40°F to 104°F
- 5 Years warranty
- UL cUL wet location listed
- DesignLights Consortium™ Qualified.

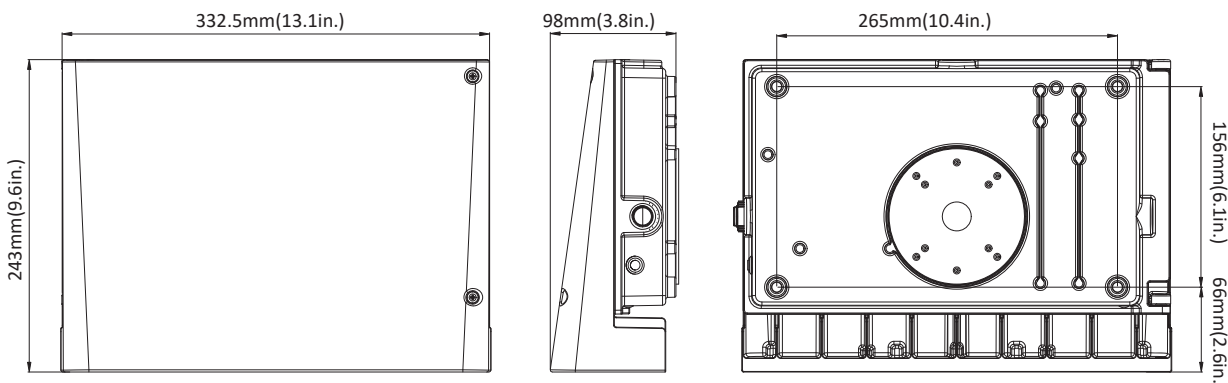
Note : DesignLights Consortium™ Qualified and classified for DLC Standard (all lumen packages)



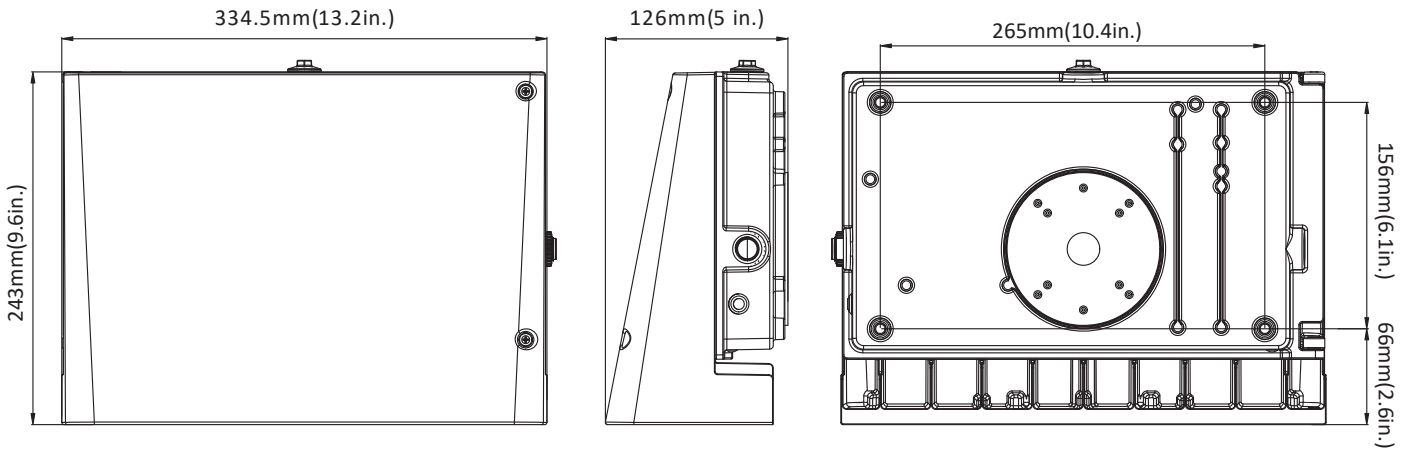
Dimensions:

unit: mm/inch

38W



For 100W



Structural Design:

Photocell (Option)
Optional photocell allows for security and energy saving

Housing
Two-piece die-cast aluminum housing with optimal thermal management both enhances LED efficacy and extends fixture's life.

Optics
Zero uplight distributions. Independently designed optical lens, using anti-UV material to maximize the lighting effect while reducing glare.

Mounting
MWP15 can be mounted directly over a standard 4' and 5' electrical junction box. Three 1/2 inch conduit holes on three sides allow for surface conduit wiring.

Emergency (Option)
8W Emergency battery, 900lm, 90min.

Power and CCT controller
The wattage and CCT can be changed by switch selection on the controller, it easy and very fast to meet the varied requirements.

PERFORMANCE DATA (@ CCT Dial)

SYSTEM WATTS	VOLTAGE	CRI	LUMENS (3000K)	LPW (3000K)	LUMENS (4000K)	LPW (4000K)	LUMENS (5000K)	LPW (5000K)
38W	120-277VAC	70	5600lm	147 lm/W	6000lm	158 lm/W	5700lm	150 lm/W
100W	120-277VAC	70	14800lm	148 lm/W	15500lm	155 lm/W	15000lm	150 lm/W

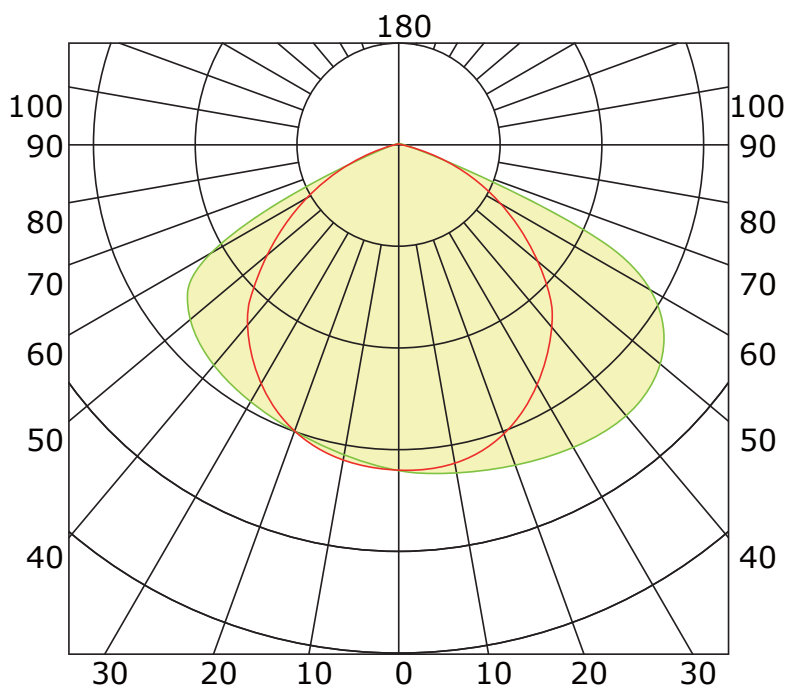
ADJUSTABLE LUMEN OUTPUT TABLE

SETTING	VOLTAGE	38W		100W	
		SYSTEM WATTS	LUMENS (5000K)	SYSTEM WATTS	LUMENS (5000K)
100%	120-277VAC	38.12	5690.70	103.20	14950.00
80%	120-277VAC	30.95	4871.24	84.21	12725.44
60%	120-277VAC	23.01	3697.60	61.92	9548.57
40%	120-277VAC	16.89	2789.20	42.83	6667.70

ELECTRICAL DATA

Number Of Drivers	Driver Current (mA)	Nominal Power (W)	INPUT VOLTAGE (V)	CURRENT (Amps)
1	680	38	120	0.32
		38	208	0.18
		38	240	0.16
		38	277	0.14
1	850	100	120	0.83
		100	208	0.48
		100	240	0.42
		100	277	0.36

PHOTOMETRICS



ACCESSORIES(Option)



Photocell

USE: Photocell is field installed or pre-installed in factory by requesting



Emergency Battery Backup

Description : It can be pre-installed in factory or field installed

ORDERING GUIDE		Example: NUR-WP15-S-38W-CCT
Model <input type="text" value="NUR-WP15-S"/>	Wattage <input type="text"/>	Color Temperature <input type="text" value="CCT"/>
	38W 38 Watt 100W 100 Watt	