

ROTATING SWITCH PANEL REMOTE

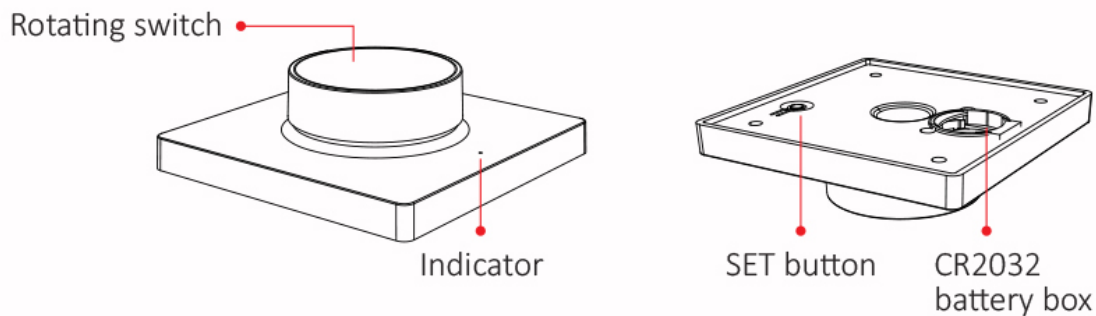


Features

It's made by 2.4GHz wireless control technology with low power consumption, long distance, strong ability for anti-interference and quick communication. Power supply is CR2032 battery, the rotating switch can dim brightness and color temperature, it's compatible for MiBoxer single color and CCT LED light.

- Control distance 98 ft
- One remote supports unlimited LED light
- Magnetic installation method, more convenient

Products Key Diagram



Rotating Switch

Short press: turn on/off light

Rotating: dim brightness

Long press while the light is on: until indicator is blinking, switch to cct dimmable, rotate it to dim color temperature.

(Attention: the device will log out cct mode if user don't operate it within 3 seconds)

Long press while the light is off: enter into night light mode.

Linking Code / Unlinking Code Instructions

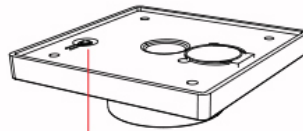
Remark: The light can be working after linking with the remote.

Linking Code Instructions



1

Switch off light, after 10 seconds then switch on again.



SET button

2

Short press " SET " button 3 times within 3 seconds when light on.



3

Lights blink 3 times slowly, means linking is done successfully.



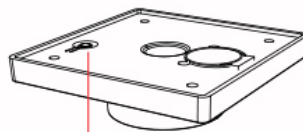
Linking failed if light is not blinking slowly, Please follow above steps again.
(Note: Light that have linked can't link again)

Unlinking Code Instructions



1

Switch off light, after 10 seconds then switch on again.



SET button

2

Short press " SET " button 5 times within 3 seconds when light on.



3

Lights blink 10 times quickly, means unlinking is done successfully.



Unlinking failed if light is not blinking quickly, Please follow above steps again.
(Note: Light haven't linked that don't need to unlink)

Note: For TRI-C1 triac dimmer, long press "SET" button, the indicator is blinking quickly. device enter into night light mode, for more information, please review instruction of TRI-C1.

Ordering Guide:		Example: MILI-REM-WALL-ROT-WHT	
Product	MILI-REM-WALL-ROT	Finish	<input type="text"/>
		WHT BLK	