

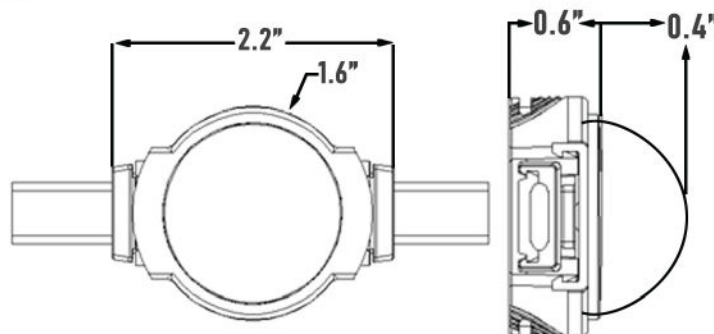
LED PIXEL MODULE

Features:

- **SKU: HOL-DG-PIX-RGB**
- The latest in SPI- Digital RGB lighting technology.
- Track integrates each pixel for a quick install with easy long term service.
- High quality thermal conductivity to ensure pixel has a long 100,000 hour life span.
- Mount with aluminum profile, steel wire front, clip.
- Grey Scale 8bit, 16bit
- Light source is 6pcs SMD5050



Dimensions:

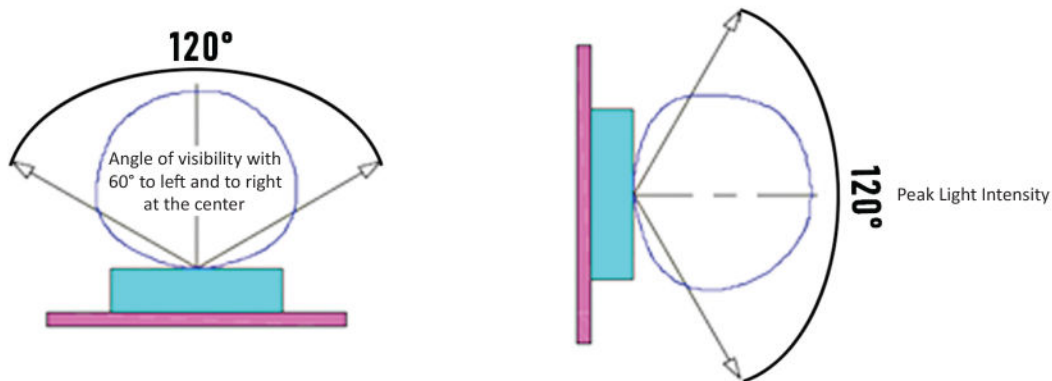


Technical Specifications:

Color Temperature	RGB(Color changing/RED/GREEN/BLUE)
Input-Voltage	DC24V
Luminous Flux	25LM/W(RGB)
Wattage	1.5 watt per pixel
Beam Angle	110°
Weight	3lbs pr 30pcs (32ft)
Central Light Intensity	15cd(RGB)
Housing	PC+ABS
CRI	80
Lifespan	50,000 hours

LIGHT INTENSITY DISTRIBUTION & MOUNTING ACCESSORIES

Light Intensity Chart:



Mounting Accessories:

