

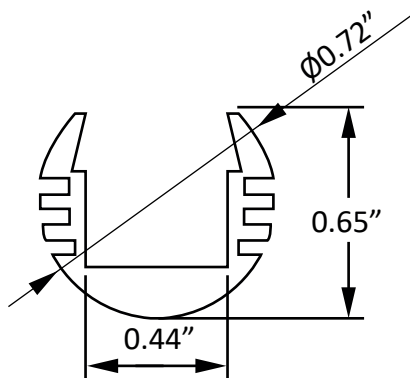
ALUMINUM EXTRUSION - SUSPENDED O - 1818

Features:

- Material: Aluminum body, polycarbonate (PC) cover and end caps, stainless steel mounting brackets
- Aluminum Grade: 6063-T5 anodizing
- Lens Type for Covers: Clear, frosted, milky, black
- Operating Temperature Range: -22°F to 104°F (-30°C to 60°C)
- Flammability: UL94-V2
- UV Stability: Ageing resistance
- Heat Stability: Under 212°F (100°C)
- Extrusions and covers are available in sizes of 3.3ft (1 meter) and 6.6ft (2 meters)



Dimensions:



Ordering Guide		Example: AE-1818-Suspended O-1M
Product Type <input type="text"/>	Extrusion Type <input type="text"/>	Length <input type="text"/>
AE-1818 (Aluminum Extrusion)	1818 - Suspended-O	1M (1 meter or 3.3ft) 2M (2 meter or 6.6ft)

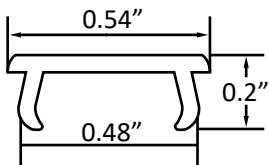
Accessories:

- **Aluminum Extrusions Universal Covers-Suspended O - 1818**



Clear Frosted Milky Black

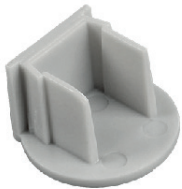
Cover Dimensions:



Ordering Guide - Covers			Example: AE-CVR-BK-UNI-FRS-1M
Product Type	Accessories	Lens Type	Length
<input type="text"/>	<input type="text"/>	<input type="text"/>	<input type="text"/>
AE (Aluminum Extrusion)	CVR-UNI (Universal Cover)	CLR (Clear) FRS (Frosted) MLK (Milky) BK (Black)	1M (1 meter or 3.3ft) 2M (2 meter or 6.6ft)

- **Aluminum Extrusions End Caps-Suspended O - 1818**

- Simple End Cap
- Conductive End Cap



Ordering Guide - End Caps			Example: a AE-1818-CAP-COND
Product Type	Extrusion Type	Accessories Type	
<input type="text"/>	<input type="text"/>	<input type="text"/>	
AE (Aluminum Extrusion)	1818	CAP (Simple end cap for extrusion) CAP-COND (Conductive end cap for extrusion)	

- Aluminum Extrusions Adjustable Mounting Bracket-Suspended O - 1818



Ordering Guide - Mounting Brackets		Example: AE-1818-ADJT-MNT
Product Type <input type="text"/>	Extrusion Type <input type="text"/>	Accessories Type <input type="text"/>
AE (Aluminum Extrusion)	1818	ADJ-MNT (Adjustable Mounting Bracket)

- Aluminum Extrusions Ceiling Fastener-Suspended O - 1818



Ordering Guide - Ceiling Fastener		Example: AE-1818-FASTENER-CEL
Product Type <input type="text"/>	Extrusion Type <input type="text"/>	Accessories Type <input type="text"/>
AE (Aluminum Extrusion)	1818	FASTENER-CEL (Ceiling Fastener)

- Steel Wire 3.3 ft (1 meter)



Ordering Guide - Steel Wire		Example: AE-STEEL WIRE-C-1M
Product Type <input type="text"/>	Length <input type="text"/>	
AE-STEEL WIRE-C (Aluminum Extrusion Coated Steel Wire)	1M (1 meter or 3.3ft)	

Installation Instructions:

