

SINGLE COLOR MINI LED MODULE 20 PCS 5 FT STRING 12V DC

Description:

The mini module is a string of single color LED modules that can be connected together in a series. They are available in 3000k, 4000k, and 6500k and can be connected either to a 12v DC battery or to a low voltage 12v DC power supply. When completely extended out, the total length is 6 feet.



Features:

- Adopt super high lumen SMD3014 LED, each module can reach 24-30lm
- Standard module quantity per string up to 20pcs
- Adopt aluminum PCB board, good heat sink, long lifespan
- DC12V input, safe, stable and convenient
- Brightness: 24-30 lumens per module
- Power Consumption: 0.3W
- Low heat output
- Beam Angle: 120°
- Input Voltage: 12V DC
- Waterproof with ABS injection housing

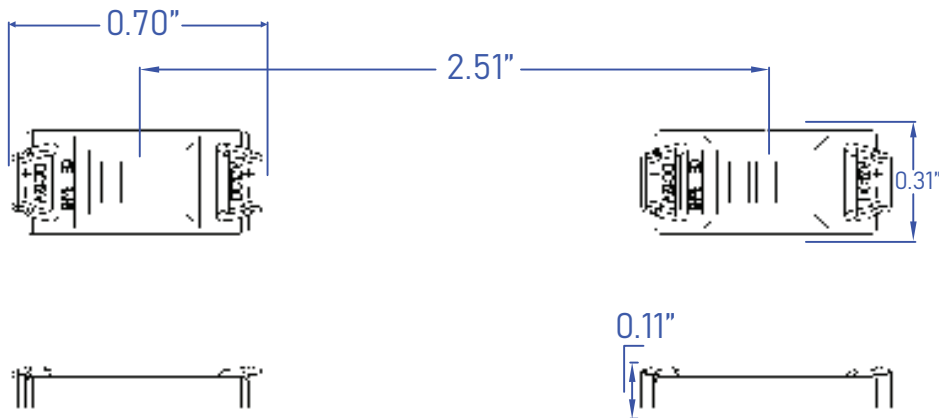


Applications:

- Display case lighting
- Cabinet lighting
- Signage lighting
- Metal letters
- Channel letters

Dimensions:

Unit: inch



Technical Specifications:

Wattage	0.3W
Input Voltage	12V DC
Color	3000K/4000K/6500K
Lument Output per module	24-30 Lumens
Material	ABS
LED Type	SMD3014
Beam Angle	120°
CRI	≥75
IP rating	IP65
Lifespan	50,000 Hours
Warranty	5 Years

Ordering Guide:

EXAMPLE: MOD-MINI-20PC-3000K

Module	Type	Pieces	Color Temperature
<input type="text" value="MOD"/>	<input type="text" value="MINI"/>	<input type="text" value="20PC"/>	<input type="text"/>
			3000K 4000K 6500K