

TAMPER RESISTANT DECORATIVE DUPLEX RECEPTACLE

Description:

20Amp 125Volt, NEMA 5-20R, 2P, 3W, Decorative Duplex receptacle, Tamper resistant, Straight blade, Residential grade, Side wire & Back wire, Self-grounding/ Non Self-grounding.

Features:

- SKU: CONT-RECP-DECO-2008
- Tamper resistant
- Straight blade
- Residential grade
- Side wire and back wire
- Base material: Plastic
- Cover material: Plastic
- Line Contacts: Brass Double-Wipe
- Strap material: 1.02mm Galvanized Steel
- Flammability: Rated V-2 per UL94
- Operating temperature: -40°F to 140°F (-40°C to 60°C)

Electrical Specifications:

- Self-grounding/ Non Self-grounding
- Amperage: 20A
- Voltage: 125V
- NEMA: 5-20R
- Poles: 2
- Wires: 3
- Dielectric Voltage: Withstands 2000V per UL498
- Current Limiting: Full rated current
- Temperature Rise: Maximum 86°F (30°C) after 50 cycles OL at 150% rated current



Mechanical Specifications:

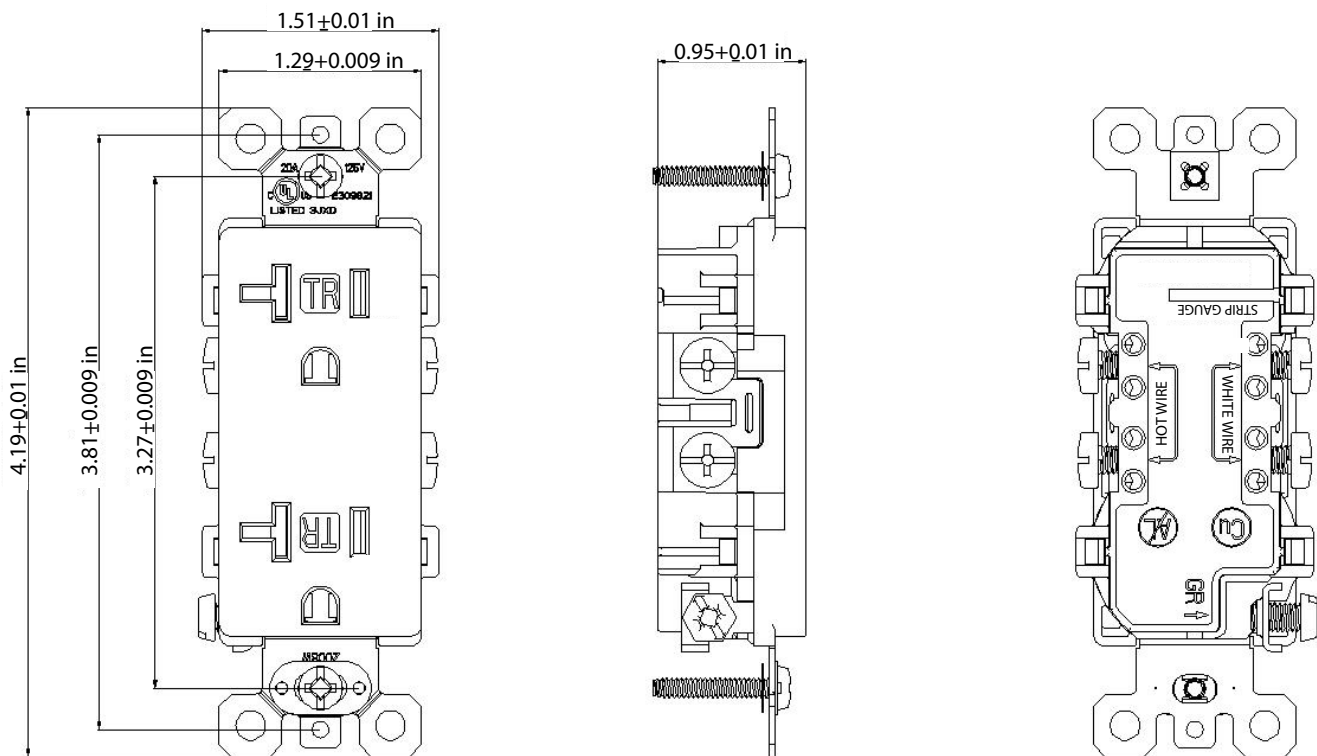
- Terminal ID: Brass-Hot, Green-Ground, Silver-Neutral
- Line Terminal Screws: #8-32 Zinc Plated Steel Multiple Drive
- Ground Screws: #8-32 Zinc Plated Steel Multiple Drive
- Mounting Screws: #6-32 Zinc Plated Steel
- Terminal accepts #14 AWG and #12 AWG

Standards and Certifications:

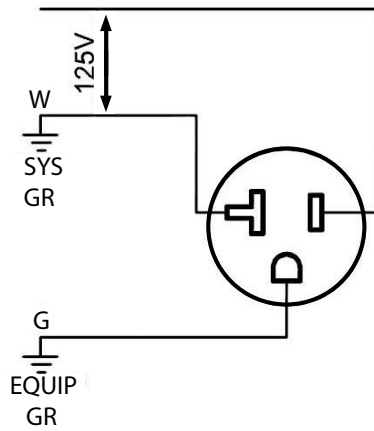
- NEMA: WD-6
- UL498 & CSA C22.2 No. 42: File E309821

one year warranty

Dimensions:



Wiring Diagram:



5-20R