

## RETROFIT DOWNLIGHT - CCT TUNABLE

### Features:

- LED Type: 2835 SMD
- Material: Aluminum and plastic
- 5 colors in 1 light
- Select color temperatures using a CCT switch
- 2 E26 base adapters included
- Mounting: Recessed Mount
- Damp Location Rated: IP44
- Compatible with most dimmers down to 5%
- 80% energy savings over incandescent/halogen bulbs
- \$213 in lifetime energy saving
- Estimated energy cost: \$1.14 per year



4 Inch



6 Inch

### Technical Specifications:

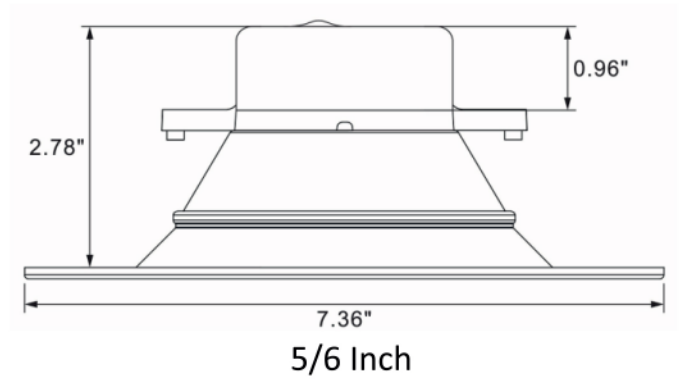
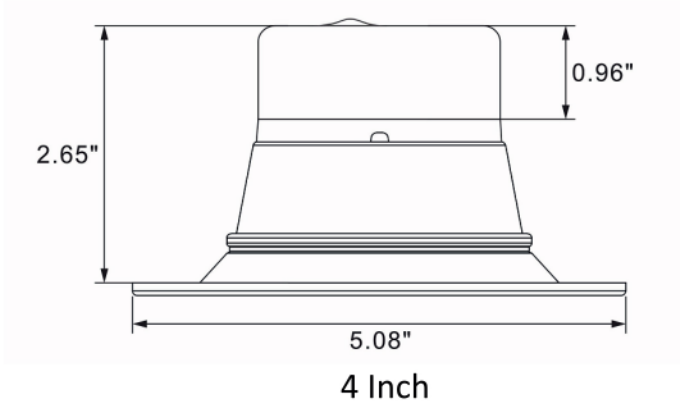
Wattage	10W	15W
Size	4 inch	5/6 inch
Input Voltage	120V AC	
Color Temperature	5CCT Switchable 2700K/3000K/3500K/4000K/5000K	
Lumen Output	670lm(2700K), 707lm(3000K), 736lm(3500K), 752lm(4000K), 744lm(5000K)	969lm(2700K), 1035lm(3000K), 1110lm(3500K), 1158lm(4000K), 1093lm(5000K)
Base	E26	
Beam Angle	100°	
Dimmable	Triac Dimmable	
Replaces	50W incandescent 60W halogen	85W incandescent 120W halogen
Dimensions	5.08in. x 5.08in. x 2.91in.	7.36in. x 7.36in. x 3.91in.
Working Temperature	-4°F~122°F	
CRI	90	
Rating	Suitable for Damp Locations	
Lifespan	>50,000 hrs .	
Warranty	5 years from the date of purchase	

### Applications:

Retrofit downlights can be installed in residential, commercial and industrial applications, including:

- Homes
- Schools and Offices
- Art galleries and Museums
- Hotels and Restaurants
- Retail Stores

**Dimensions:**



**ORDERING GUIDE**

Example: DWN-NUR-CCT-R-5/6-15W(2Pack)

Fixture Type	Color Temperature	Shape	Size	Wattage
<input type="text"/> DWN-NUR Retrofit Downlight	<input type="text"/> CCT 5-CCTSwitchable 2700K/3000K/3500K /4000/5000K	<input type="text"/> R Round	<input type="text"/> 4 inch 5/6 inch	<input type="text"/> 10W 15W