

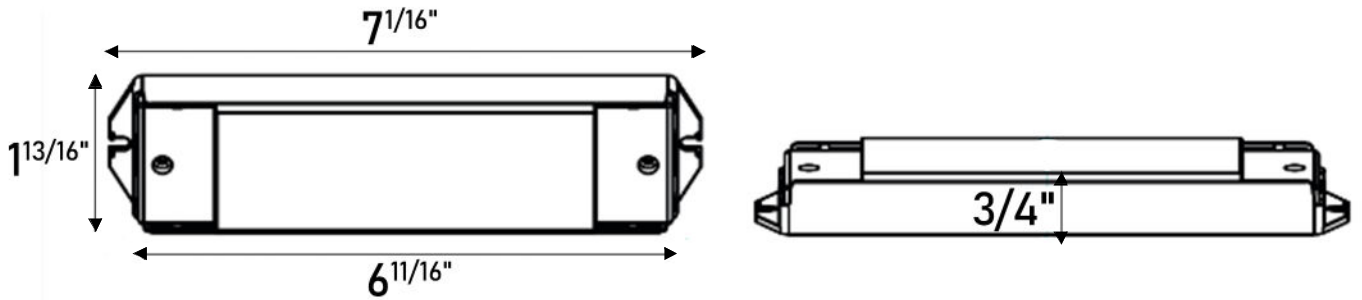
RGBW 4 CHANNEL CONTROLLER (RF) SR SERIES

Features:

- SKU: CONT-SR-1009FA
- The RGBW 4 Channel Controller (RF) SR Series is a versatile LED controller designed for constant voltage LED strip lights. It operates with a 12-36Vdc input and output and provides a maximum output of 5A per channel. The controller has four channels and a built-in RF receiver, allowing it to be wirelessly controlled by remote and wall-mounted controllers. It is compatible with a range of remotes to control single color, dual color, and RGB/RGB+W LED lights, particularly LED strip lights.
- For single-color LED strips, the SR-1009FA serves as an LED dimmer that can adjust brightness and switch on/off. For CW+WW dual-color LED lights, the RF controller features both a dimmer and a color temperature controller. For RGB/RGB+W LED lights, the LED controller offers a brightness dimmer function for each channel, an RGB color tone adjustment function, and dynamic changing patterns.
- Other notable features of the RGBW 4 Channel Controller (RF) SR Series include full compatibility with a variety of single color, dual color, and RGB/RGBW RF remotes, the ability to control each receiver with up to 8 different remotes, and the availability of three different radio frequencies (869.5/434/916.5 MHz).



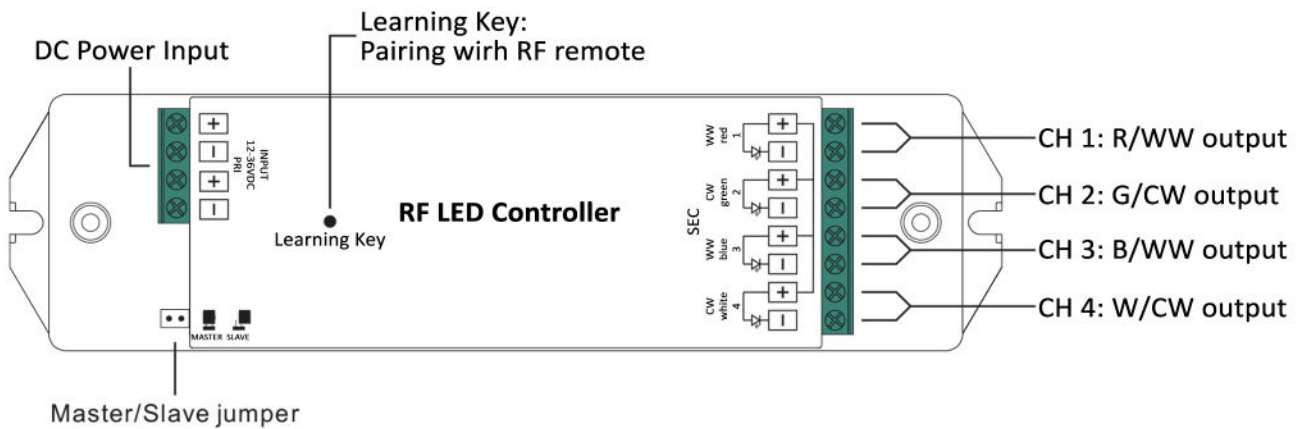
Dimensions:



Technical Specifications:

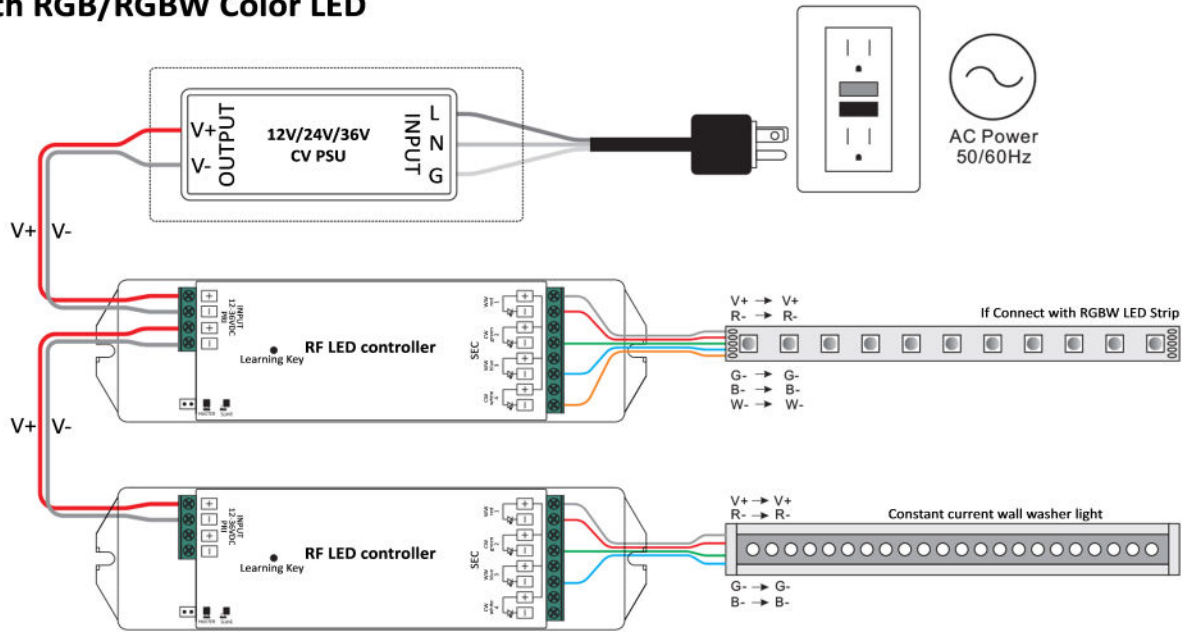
Input Voltage	12-36VDC
Wattage	240-720W
Output Current	4CH, 5A/CH
Output Type	Constant Voltage

Function Introduction:

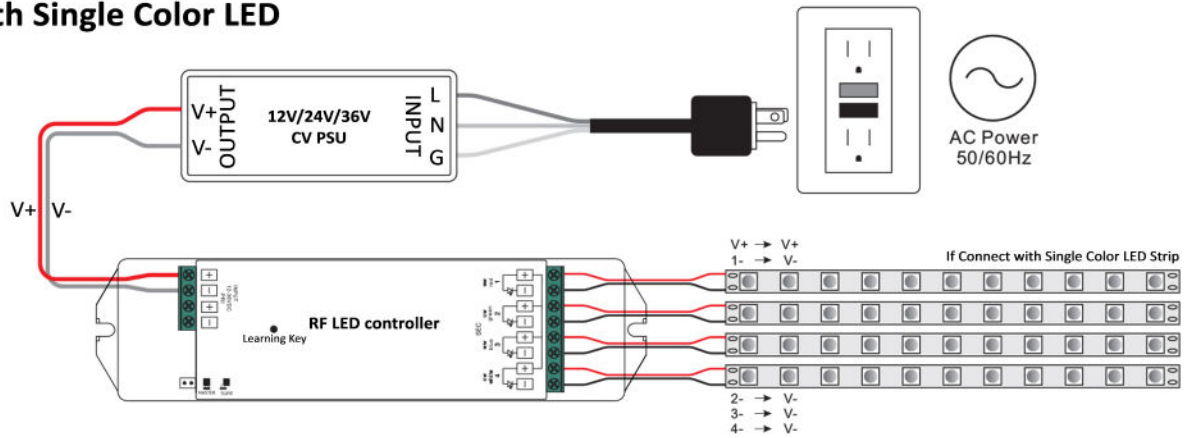


Wiring Diagram:

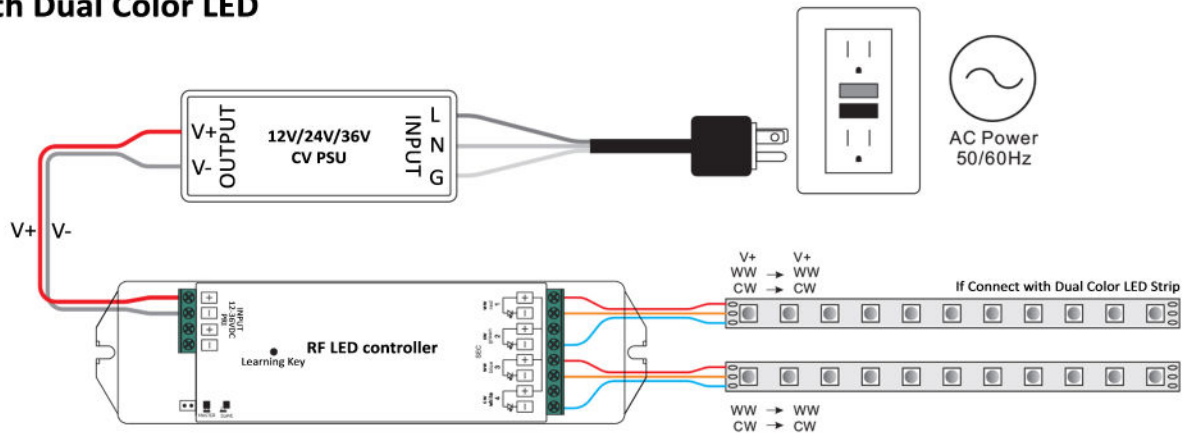
With RGB/RGBW Color LED



With Single Color LED



With Dual Color LED



Safety and Warnings:

- It is important NOT to install the device with power applied to it.
- It is also essential to avoid exposing the device to moisture.

Operation:

To operate the device, follow the wiring instructions provided in the connection diagram.

Pairing the RF Receiver with the RF Remote:

1. Connect and wire the RF receiver correctly, and turn it on.
2. Turn on the RF remote and click on the "Learning Key" button on the receiver. If the remote is a multi-zone controller, click on a zone number to pair the receiver to the specified zone. If it is a single zone remote, skip this step.
3. Use the color wheel or slider bar on the remote (or any keys if the remote does not have these features) and immediately touch it. The connected LED light on the receiver will flicker twice, indicating a successful pairing.

Note: A maximum of eight remote controls can be paired with one receiver.

Delete Pairing:

To delete the pairing:

1. Correctly wire the RF receiver and power it on.
2. Hold down the "Learning Key" button on the receiver for over 3 seconds until the connected LED light on the receiver flickers twice, indicating that the pairing has been successfully deleted.

MASTER/SLAVE Jumper:

If there are multiple receivers in a group, it is recommended to set only one receiver as the MASTER to achieve a good synchronization of the RGB running effect. The other receivers should be set as SLAVE.

After setting the MASTER, the Master receiver needs to be powered off and on once to activate the Master function.

Related Products:

RGB Rotary Wall Remote (RF) SR Series

- SKU: CONT-SR-2836-RGB-US
- Sold Separately



RF Rotary LED Dimmer

- SKU: CONT-SR-2836DIM-US
- Sold Separately



RF RGBW Wall Mounted Touch Panel LED Controller

- SKU: CONT-SR-2820S-US
- Sold Separately

