

# RGB LED MUSIC CONTROLLER WITH RF REMOTE

## Description:

The RGB LED Music Controller with RF Remote is a device that enables you to change the color of your color-changing strip lights. It is compatible with both 12V DC and 24V DC, and comes with a 20-key remote that communicates with the controller via a 900MHz signal. The controller is equipped with a green screw-tightened terminal block that connects wires from the power supply and low-voltage lighting. Additionally, a low-voltage adapter can be plugged directly into the controller.



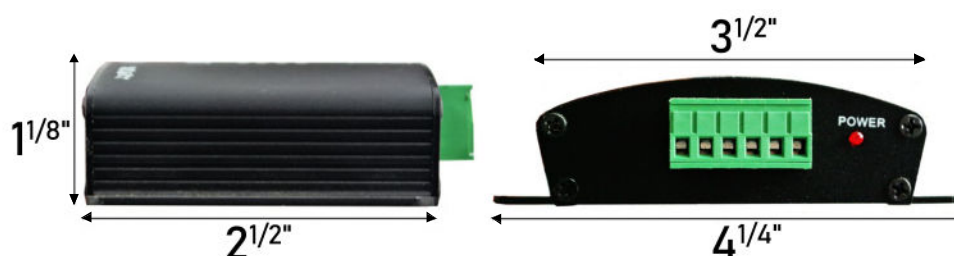
The controller features a built-in microphone that can detect the beat of the music and adjust the color of the lights accordingly. With this feature, you can create a dynamic and captivating lighting display that is perfectly synced with your favorite music.

## Features:

- SKU: CONT-RGB-RF-AUD-G2
- Adopts PWM digital technology with 5 dimmer degrees, ensuring no flicker.
- Includes 13 different RGB modes, consisting of 8 static colors, 3 dynamic changes, and 3 audio modes: DJ (Fast Track), Dynamic (Universal Rhythm Changes), and Tenderness (Slow-Paced Change). The brightness of the static colors and the speed of dynamic changes are adjustable, and sensitivity can be adjusted in audio mode.
- In audio mode, sensitivity can be adjusted using the black gear knob. The sensitivity increases as the knob is turned clockwise.
- Designed for use with LED constant voltage products, LED RGB strip lights, single color light bars, and horse racing lights.
- This product comes with a two-year warranty. However, the warranty does not cover damages caused by artificial situations, transit after purchase, natural forces, or overload working.

## Dimension:

Unit: Inch

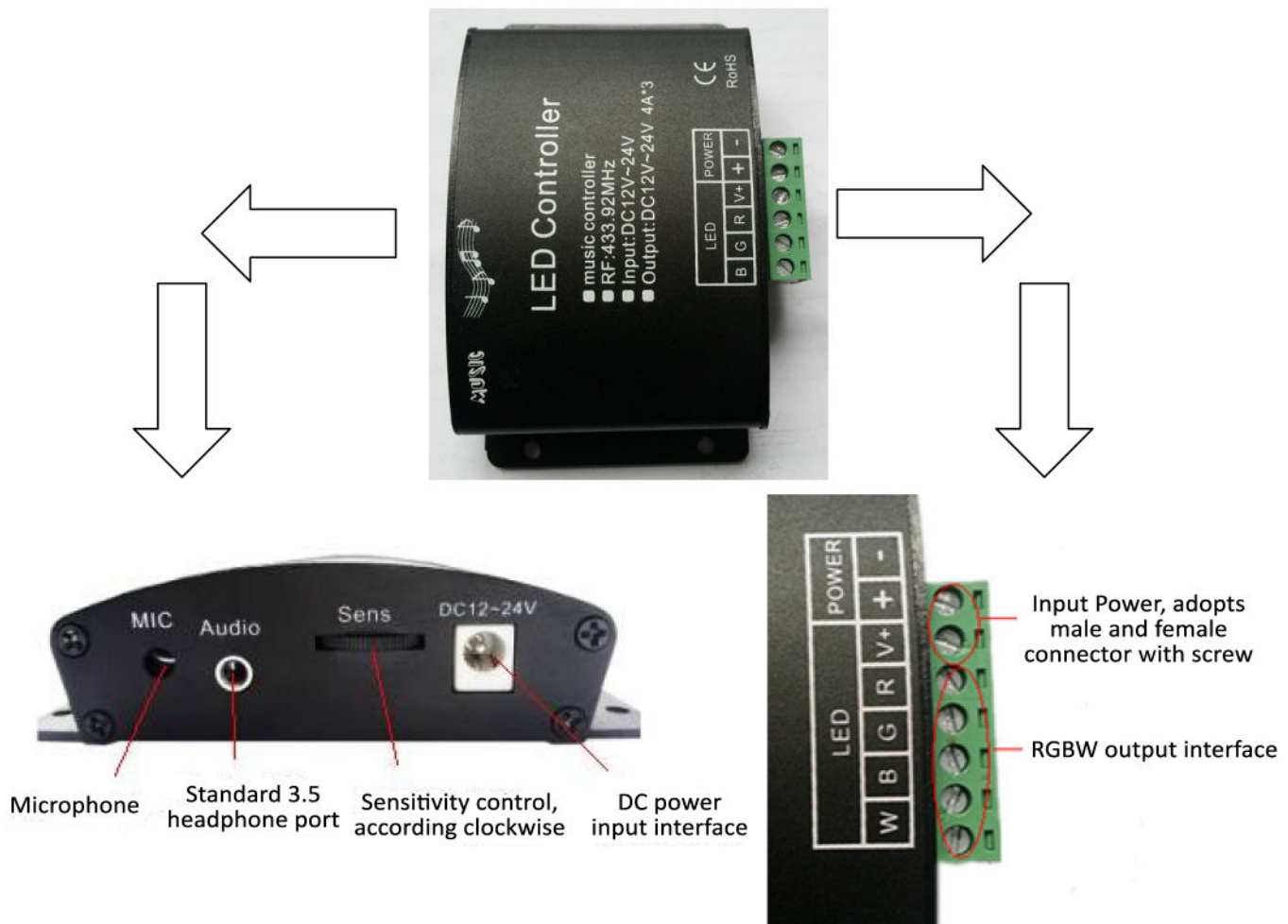


## Technical Specification:

Input Voltage	12-24VDC
Wattage	12V: 144W , 24V: 288W
Maximum Output Current	3*4A each
RF Frequency	433.9MHz
Operating Temperature	-4°F to 140°F
Output	Three CMOS drain-open output
Connecting Mode	Common Anode
Net Weight	0.33lb
Gross Weight	0.40lb
Warranty	2 Year

## Interface Specification:

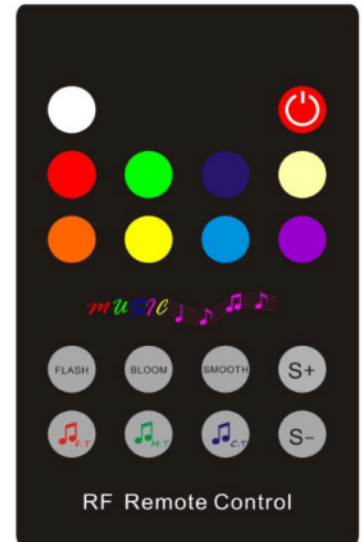
Power and Payload interface:



## Direction For Use:

This product uses a wireless RF remote control method with a total of 18 keys. The function of each button is described below:

Static white			on/off
Static red	Static green	Static blue	Static sunlight
Static orange	Static yellow	Static cyan	Static purple
seven base color jumping	Three color gradually change	seven color gradually change	Speed/Sensitivity+
DJ Audio	Dynamic Audio	Tenderness Audio	Speed/Sensitivity-



### Note:

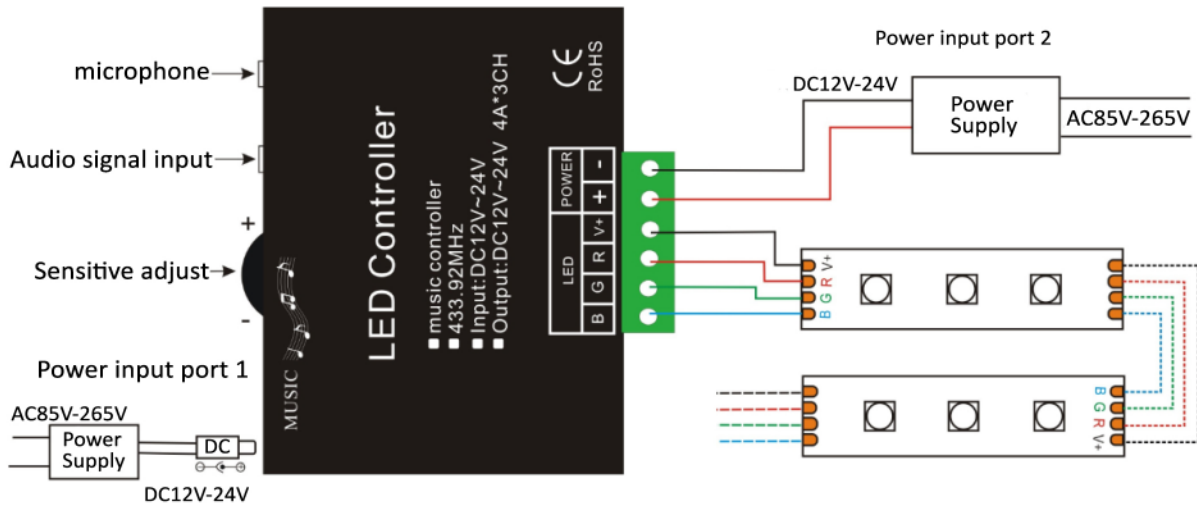
1. S+/S- adjusts the speed for the dynamic mode, while it adjusts sensitivity for the audio mode. Users can adjust the sensitivity based on the type of music and sound level to create more rhythmic and vibrant lighting changes.
2. The music mode includes three rhythmic patterns: fast, medium, and slow. These correspond to DJ, dynamic, and tenderness sound effects, respectively. By selecting the appropriate music mode, the lighting changes can create a more harmonious atmosphere.
3. All static modes are adjustable by pressing the color button. Each press changes the brightness level in a circular pattern with five levels (100%, 50%, 25%, 12%, and 6%).

To pair the new-coded-remote with the receiver, follow the instructions below:

1. Power off the device and press the "FLASH" key.
2. Power on the controller, and the LEDs will turn white at 50% brightness.
3. Press the "FLASH" key three times continuously, and the brightness of the LED will change from 25% to 10%.
4. If the code learning is successful, the mode will return to its state before the power-off.
5. If not, repeat steps 1-4.

## Typical Applications:

Application Circuit:



### Notes:

1. The supply voltage for this product is DC12V~24V. Never connect it to other voltages or AC220V.
2. The lead wires should be correctly connected according to the connecting diagram grades provided.
3. This product should not be overloaded.
4. The warranty for this product is two years, but it does not cover damages caused by artificial situations or overload working.

## Common Problems:

Problems	Possible cause	Solution
1. The lamp is not lighting up after powering on.	The power cord is not properly connected, or there is no output from the switching power supply.	Properly connect the power cord or reset the power.
	The power cord for the lamp is either not connected or there is a short circuit.	The lighting power cord is connected to the lamp.
2. After connecting some of the load, the controller is not functioning.	The connected load is too large, causing some of the components of the controller to burn out.	Replace the faulty components or replace the controller entirely.