

# RGB DIGITAL CONTROLLER WITH REMOTE

## Description:

The RGB Digital Controller with Remote is a user-friendly a device that allows you to control the colors and lighting effects of your RGB-enabled electronic devices. With the included remote, you can effortlessly adjust the RGB colors, brightness, and various lighting modes to create a captivating and personalized ambiance. Enjoy the convenience of wireless control and bringing a vibrant and mesmerizing touch to your surroundings with this versatile RGB Digital Controller.



## Features:

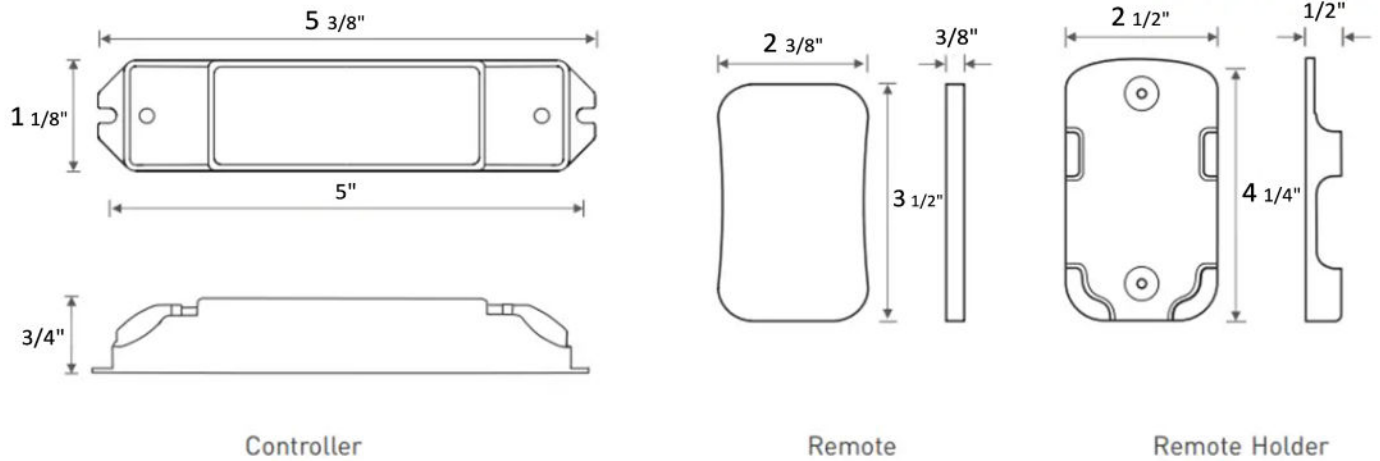
- SKU: CONT-DIGI-KIT
- Seamless control of digital RGB strips.
- Pre-programmed color-changing scenes for captivating effects.
- Adjustable brightness to suit different moods.
- Various lighting modes (pulsating, fading, strobing, etc.)
- Convenient remote for wireless operation.
- Memory function to retain last used settings.
- Easy installation.



## Applications:

- Automotive/Boat Lighting
- Entertainment Areas
- Store Front lighting
- Commercial Spaces
- Event Decor
- Outdoor Lighting
- Architectural Lighting
- Nightclubs and Bars
- Display Lighting

### Dimension:



### Technical specifications:

<b>Power Input</b>	5~24Vdc
<b>Output</b>	SPI
<b>Wireless Signal</b>	RF 2.4GHz
<b>Working Temperature</b>	-22°F~131°F
<b>Pixel Range</b>	8~1020px
<b>Certificate</b>	FCC, CE, RoHS