



- Output constant voltage
- Universal AC input: 100-130VAC
- Power Factor: up to 0.65
- High efficiency :up to 85%
- Protection:short circuit/over loading/over current/ Over temperature
- Full protection aluminum housing
- Easy installation
- Cooling by free air convection
- Compatible with Forward phase , Triac, MLV Dimmers
- Strong compatibility, flicker-free dimming
- Suitable for LED lighting and moving sign applications and others
- Provide with a junction box for power supply and output connection
- IP66 rated, suitable for dry or wet location use

IP66



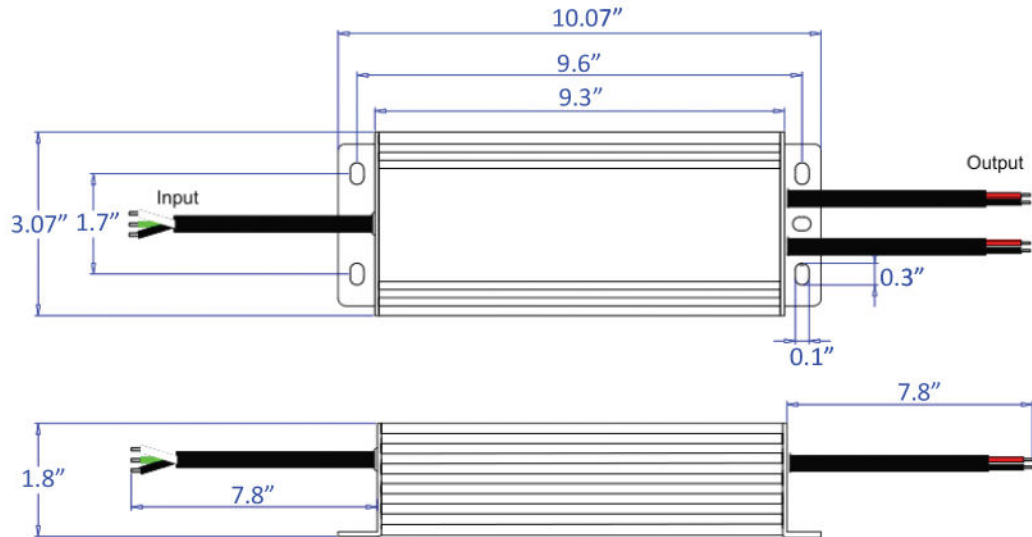
Specifications:

SKU	PWR-DIM-NUR-12V-80W-OD	PWR-DIM-NUR-12V-100W-OD	PWR-DIM-NUR-12V-200W-OD
DC Output Voltage	12V	12V	12V
Rated Output Current	6.67A	8.33A	16.6A
Rated Output Power	80W	100W	200W
Input Frequency Range	47-63Hz	50-60Hz	50-60Hz
Weight of Power Supply	2.20 lb	2.20 lb	3.10 lb
Approximate Dimensions of Power Supply	9 x 2.75 x 1.75 in.	9 x 2.75 x 1.75 in.	10 x 3 x 1.8 in.
Packaging Weight	2.30 lb	2.40 lb	3.30 lb
Packaging Dimensions	10.5 x 3 x 2.8 in.	10.5 x 3 x 2.8 in.	11.75 x 3.5 x 3 in.

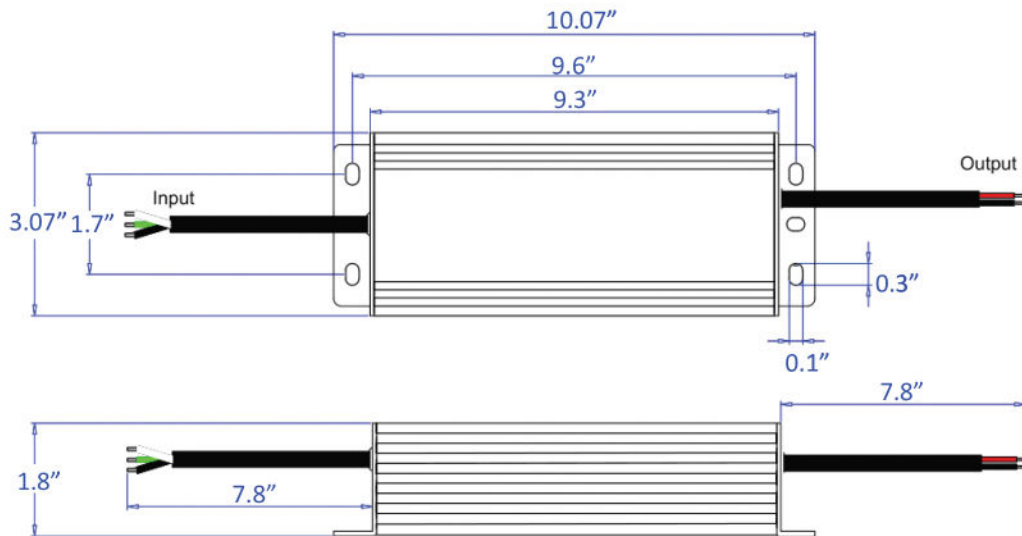
SKU	PWR-D-N-80W-24V-OD	PWR-D-N-100W-24V-OD	PWR-D-N-200W-24V-OD
DC Output Voltage	24V	24V	24V
Rated Output Power	80W	100W	200W
Rated Output Current	3.33A	4.16A	8.30A
Input Frequency Range	47-63Hz	50-60Hz	50-60Hz
Weight of Power Supply	2.20 lb	2.20 lb	3.10 lb
Approximate Dimensions of Power Supply	9 x 2.75 x 1.75 in.	9 x 2.75 x 1.75 in.	10 x 3 x 1.8 in.
Packaging Weight	2.30 lb	2.40 lb	3.30 lb
Packaging Dimensions	10.5 x 3 x 2.8 in.	10.5 x 3 x 2.8 in.	11.75 x 3.5 x 3 in.

Notes	<ol style="list-style-type: none"> 1. All parameters if NOT specially mentioned are measured at 110VAC input , rated load and 25°C of ambient temperature. 2. To extend the driver's using life ,please reduce the loading at lower input voltage. 3. Loading should be 5-100%.
--------------	--

■ Phase/Traic Dimmable driver Mechanical Specification

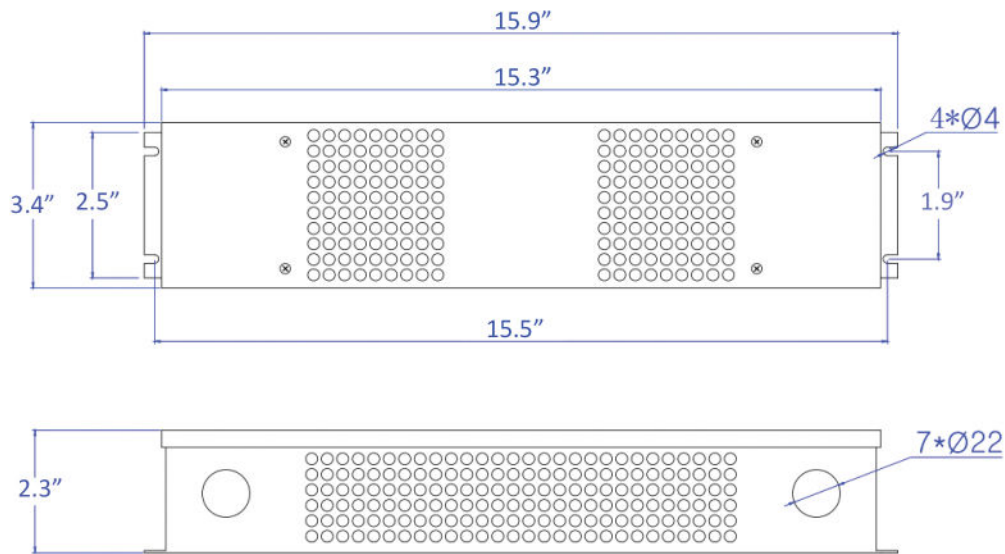


KVP-12200-TDL



KVP-24200-TDL

※ Input black(L) and white(N) wires to be connected AC, Green wire to be connected ground; output red and black wires to be connected led lighting.



J8



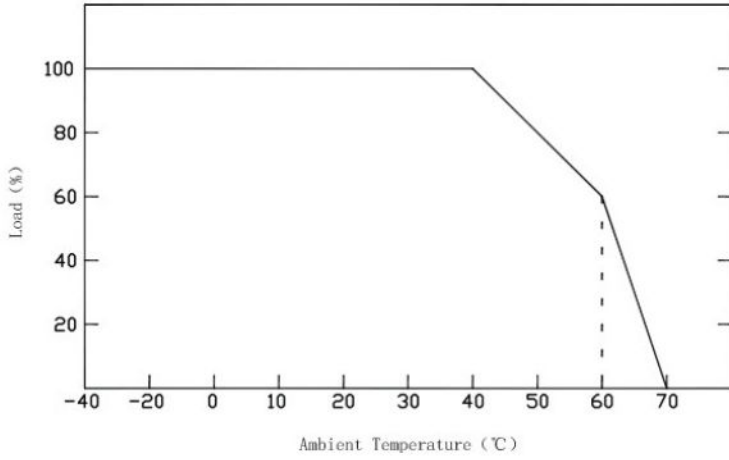
■ Dimming Operation

- ※The Pulse-Width Modulation (PWM) of output voltage can be adjusted through input terminal of the AC phase line(L) by connection a phase/triac dimmer.
- ※Usually matching with Forward phase , leading edge , Magnetic low voltage triac dimmers, (or Reverse phase, trailing edge ,Electric low voltage, Triac Dimmers can be customized!)
- ※Please try to use dimmers with power at least 2.5 times as the output power of the driver.

■ Warning

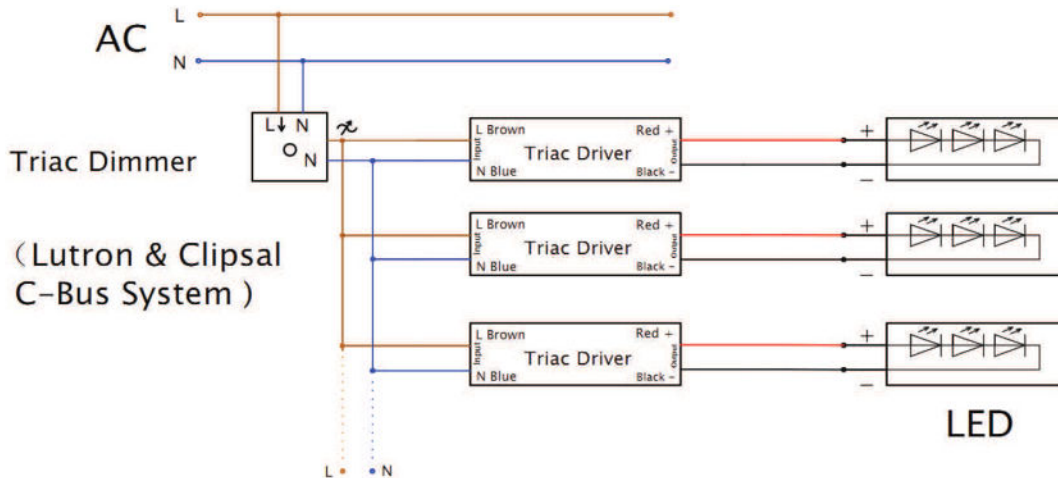
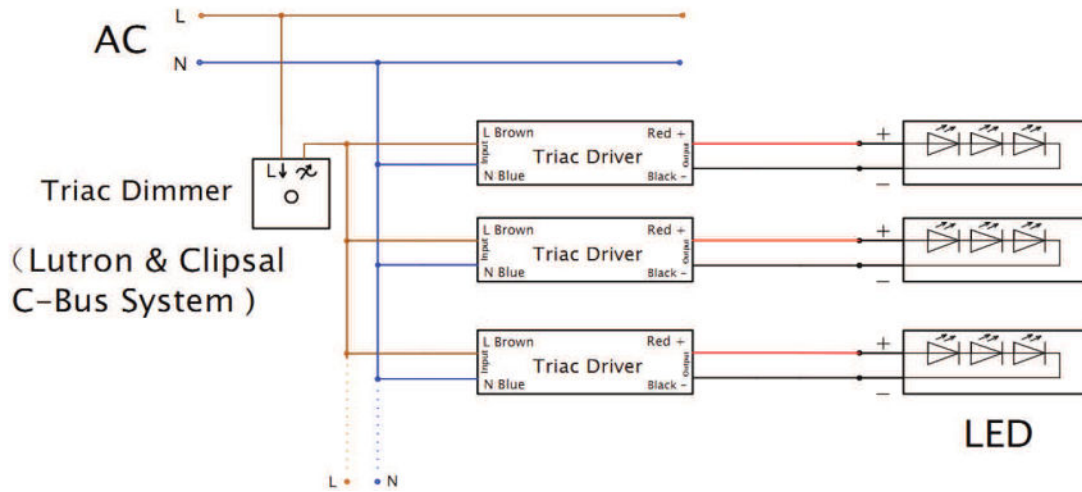
- ※Prevent to reverse polarity; Output polarity: RED "+"; BLACK "-"
- ※Risk of Electric Shock. When used outdoors, install only on a circuit protected by a Class A GFCI;
- ※Risk of Fire. Installation involves special wiring methods to run wiring through a building structure. Consult a qualified electrician;
- ※Risk of Electric Shock. Mount the unit at a height greater than 1 foot from the ground surface.

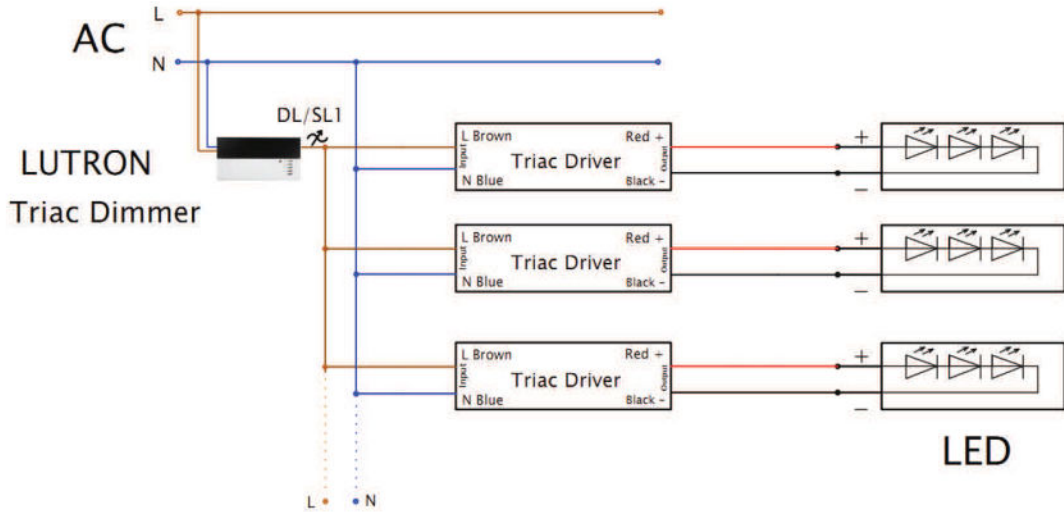
Derating Curve



※To extend their life, please refer to the Derating Curve and derate according to the temperature.

Connecting Diagram





Ordering Guide:		EXAMPLE: PWR-D-N-200W-12V--OD	
Power Supply PWR-D-N	Wattage <input type="text"/>	Voltage <input type="text"/>	Outdoor OD
	80W 100W 200W	12V 24V	