

GU10 SPOTLIGHT BULB

Description:

The GU10 bi-pin bulb is dimmable and used for a variety of indoor applications, such as track lighting and recessed lighting



Features:

- Uses 90% less energy than equivalent incandescent
- Contains no mercury
- Produces no harmful ultraviolet or infrared rays
- Low heat output



Application:

- Track lighting
- Recessed lighting

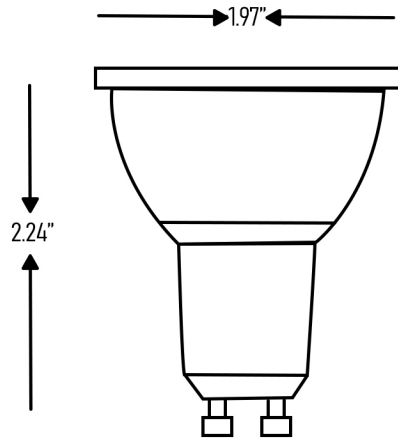
Accessories:

1. Socket



CONV-SKT-GU10-BARE

Dimensions:



Ordering Guide:

Example: GU10-G-5W-COB-36D-2700K-DIM

Lamp type	Wattage	Chip on Board	Beam Angle	Color Temperature	Dimmable
GU10-G	5W	COB	36D	<input type="text"/>	DIM
				2700K 4000K 6000K	