

Cut-off Wall Pack - Medium 45W & 70W

Features

- Suitable for WET location/Outdoor
- Lumen output from 4900-7350lm, to replace 100-175W MH
- Full Cutoff and compliance to Dark Sky requirement
- Type III polycarbonate optical lens with UV stabilizers
- Built-in UL class 2 driver, optional for photocell
- Available in durable polyester dark bronze or Black powder coat
- UL/cUL and DLC listed



Applications

- Security, pathway and perimeter lighting
- Building entryways and walkways



Cut-off Wall Pack - Medium 45W & 70W

Specification

*Special Order

Specification/ Model	NUR-WP-F-45W-5000K	*NUR-WP-F-50W-5000K	NUR-WP-F-70W-5000K	*NUR-WP-F-75W-5000K
Input Power	45W	50W	70W	75W
Lumens output	4900lm	5000lm	7350lm	7500lm
Efficacy	109lm/W	100lm/W	105lm/W	100lm/W
CRI	82			
Color Temperature	5000K			
Input Voltage	120-277VAC	347VAC	120-277VAC	347VAC
Finish Color	Dark Bronze			
Optical Lens	Polycarbonate (UL Recognized) (f1) Suitable for outdoor use with respect to exposure to Ultraviolet Light, Water Exposure and Immersion in accordance with UL 746C			
Mounting	Wall Mounting			
Photocell	120V-277VAC (UL and CSA listed) 3/4in long threaded nipple,30-45 second time delay, Power Consumption: less than 0.9 watts at 120 VAC			

Ordering Guide

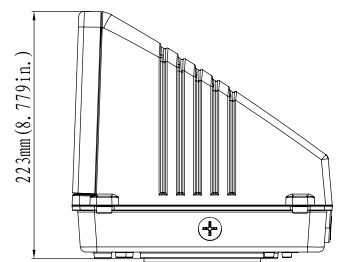
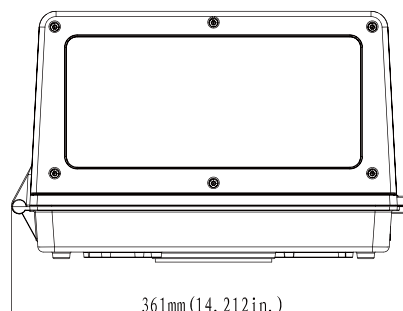
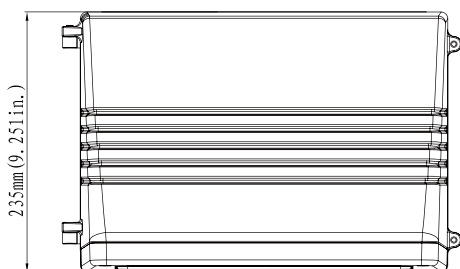
EXAMPLE : NUR-WP-F-45W-5000K

Fixture Type	Power Consumption	Input Voltage	CCT	Finish	Sensor (Option)
WP-F Small Full Cutoff Wall Pack	45W 45Watts	*120V	*4000K	D Dark Bronze	P0 * 120-277V Photocell
	*50W 50Watts	120-277V	5000K	B * Black	P1 * 120V Photocell
	70W 70Watts	*347V		W * White	Blank Without Photocell
	*75W 75Watts				

- NOTES: 1. 277V driver operates on 120-277V (50/60 Hz), Specify 120 options only when ordering with photocell.
 2. 45W and 70W are limited to 120-277V input only; 50W and 75W are limited to 347V input only.
 3. 347V Photocell is only suitable for 50W and 75W .

Dimension

unit: inch/mm

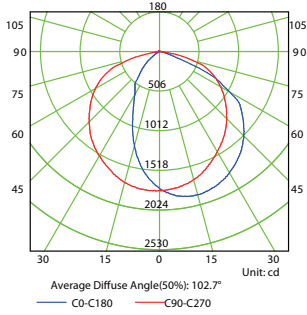


Cut-off Wall Pack - Medium 45W & 70W

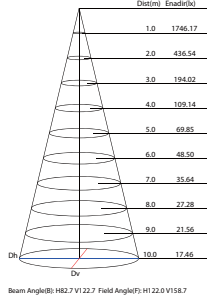
Photometrics

45W

Luminous Intensity Distribution Curve

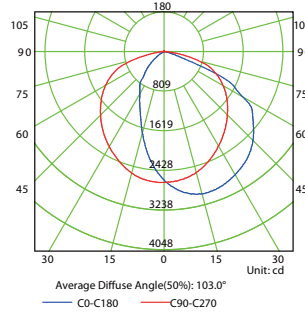


Illuminance at a Distance



70W

Luminous Intensity Distribution Curve



Illuminance at a Distance

