

MINI PUCK LIGHT

Description:

Mini-LED recessed puck lights are an extremely versatile solution for both indoor and outdoor lighting projects. Professional quality, with industry leading lifespan and higher lumens output, these mini-lights are the perfect LED solution for architectural LED lighting.



Features:

- Energy-efficient: Each LED puck light uses just 1 and 2 watts.
- Long lasting and highly: Rated for 66,000 hours of continuous use.
- LED puck lights are rated to IP66 can be fully submersed.
- Can be installed as a single LED light or linked together for custom installations.
- LED puck lights are rated to IP66 can be fully submersed.



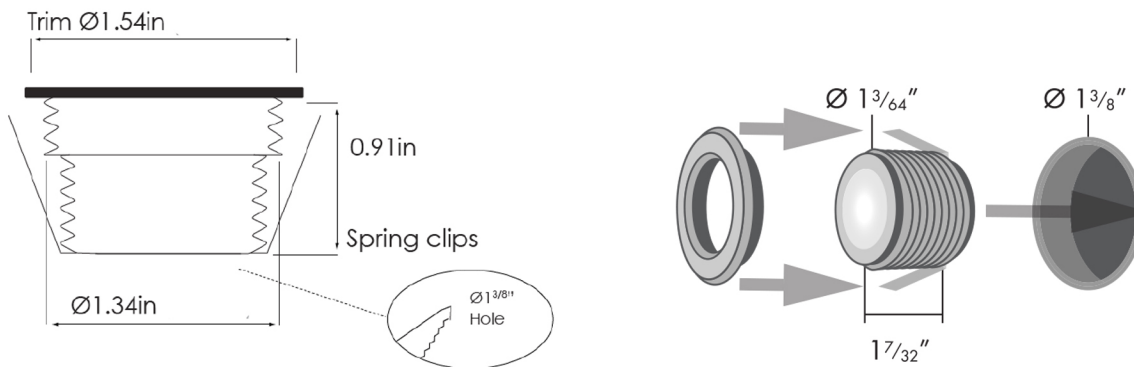
Application:

- Under cabinet lighting
- Tray ceiling lighting
- Toe kicks, RVs, boats
- Motor homes and commercial lighting projects.

Technical Specification:

Wattage	1W	2W
Input Voltage	12V dc	
Color Temperature	Warm White, Cool White, Natural White	
Lumen Output	85 Lumens	
Beam Angle	30°	
Replaces	10W Incandescent light	
Installation Type	Recessed	
IP Rating	IP66	
Lifespan	66,000 Hours	
Warranty	1 Year Warranty	

Dimensions:



Ordering Guide:

Example: PK-MINI-1W-WW

Fixture type	Wattage	Color Temperature
<input type="text"/>	<input type="text"/>	<input type="text"/>
PK-MINI (Mini Puck Light)	1W 2W	NW (Natural White) WW (Warm White) CW (Cool White)