

COMMERCIAL DOWNLIGHT ENGINE

Description:

It can retrofit for most manufacturers incandescent, CFL or H.I.D. fixtures with apertures of 6.1" min. to 6.7" max diameter. Easy conversion method and recessed installation can be performed from below the ceiling without removing existing fixture. 100-277 VAC operation with included 1~10V dimmable constant current LED driver, This energy-efficient LED light can replace for most manufacturers incandescent, CFL or H.I.D. fixtures.



Features:

- Tested Dimmers: Lutron ® Diva-Dvtv, Leviton ® IP-710-D
- Materials: Aluminum haze trim with white trim ring
- Mounting: recessed
- LED Lifetime: >50,000H L70 minimum
- Split design of led light engine and trim, one engine allows
- for seamless integration of multiple trim options
- Mounting: It is provided with spring steel friction clips allowing for installation in a variety of commercial recessed open frame rough-in sections.
- LED Driver: Isolated and class2 output led driver that accommodates input voltages from 100-277 volts AC or 100-347 volts AC, is dimmable with the use of most 0-10V wall box dimmers



Applications:

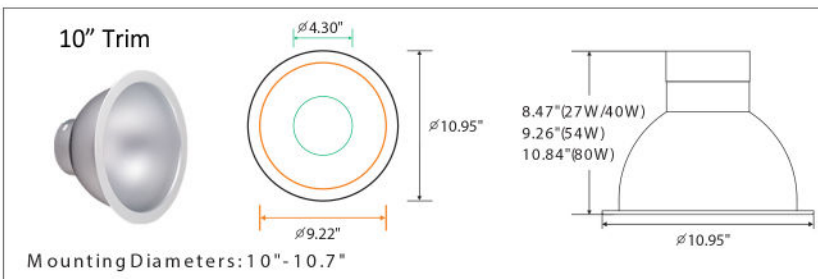
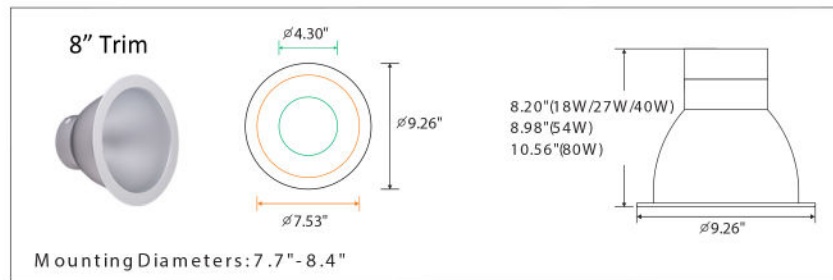
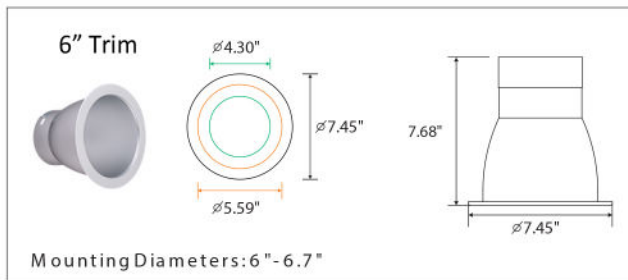
The retrofit downlight for installation in all compatible recessed housings found in:

- Hotels
- Offices
- Major retail stores
- Education facilities
- Government buildings
- Hospitals

Technical Specifications:

Wattage	18W	40W	80W
Input Voltage	100-277V	120-277VAC	110-347V
Color Temperature	4000K	CCT Adjustable 3000K/3500K/4000K	4000K
Wattage Tunable	—	18W/27W/40W	50W/65W/80W
Lumen Output	1,500LM	1710LM/2565LM/3800LM	1,500 LM
Trim Options	6",8",10"	6",8",10"	6",8",10"
CRI	> 80	> 80	> 80
Power Factor	> 0.90	> 0.90	> 0.90
Dimming	1-10V	1-10V	1-10V
IP rating	IP-710-DL	IP-710-DL	IP-710-DL
Lifespan	50,000 hours	50,000 hours	50,000 hours
Warranty	5 years	5 years	5 years

Dimensions:



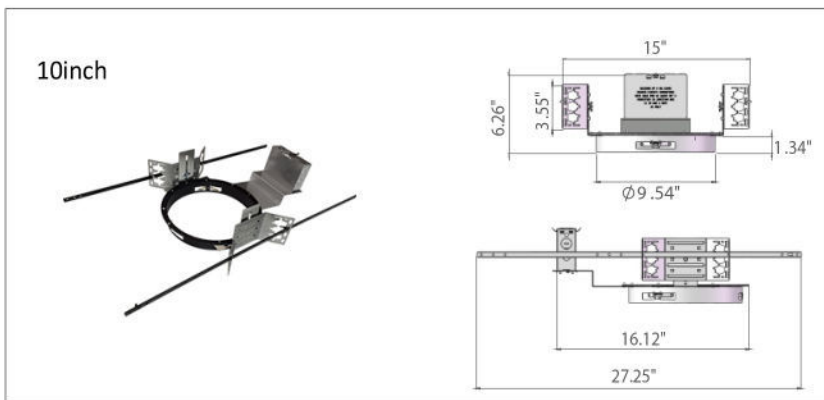
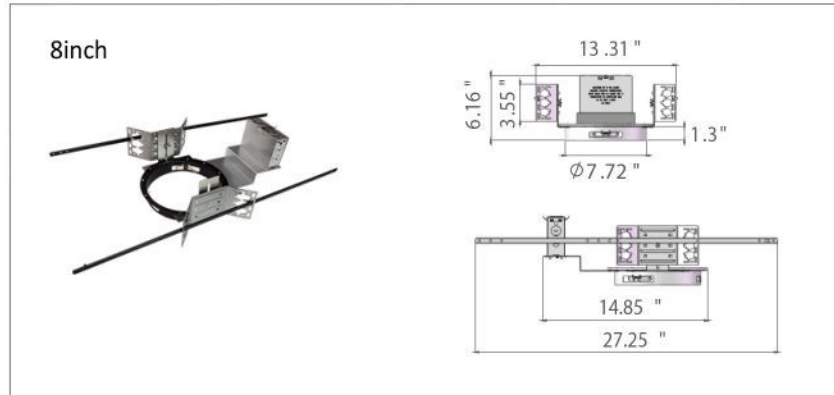
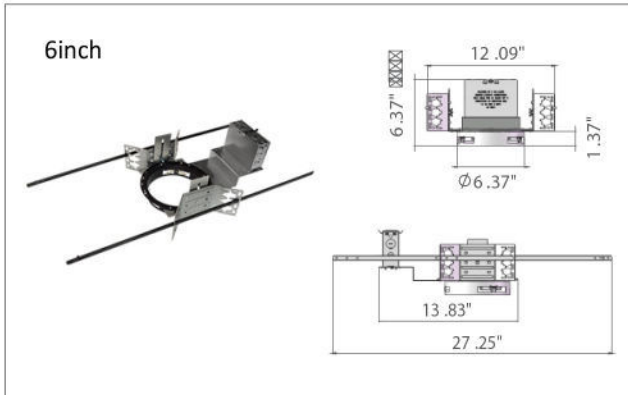
Ordering Guide: (Commercial Downlight)

Example: NUR-CES-18W-40K

Series	Wattage	Color Temperature
NUR-CES	18W XXW40 Wattage Adjustable 18W/27W/40W XXW80 Wattage Adjustable 50W/65W/80W	40K 4000K CCT* CCT Adjustable 3000K/3500K/4000K

*CCT Selectable: 3000K,3500K,4000K available only for 40W light engine.

Optional New Constructional Frame:



Ordering Guide: (Constructional Frame)

Example: NUR-CE6-Frame

Series	Type	Kit
<input type="text"/>	<input type="text"/>	<input type="text"/>
NUR-CE	6 6" 8 8" 10 10"	Frame

Ordering Guide: (Accessories Trim)

Example: NUR-CE6-Trim

Series	Type	Kit
<input type="text"/>	<input type="text"/>	<input type="text"/>
NUR-CE	6 6" 8 8" 10 10"	Trim