

## ADJUSTABLE DRIVER

### Features:

- Output constant current type
- Built-in active PFC function
- Load: 10-100%
- Protection: Short Circuit/Over Loading/ Over Temperature
- PWM output, does not change the color index
- Full protection metal case, for dry, damp location
- Flicker-free
- Phase dimming: work with forward phase /leading edge, MLV and Reverse phase /trailing edge, ELV, TRIAC dimmers
- Dimming range: 0-100%
- Suitable for LED lighting and moving sign applications



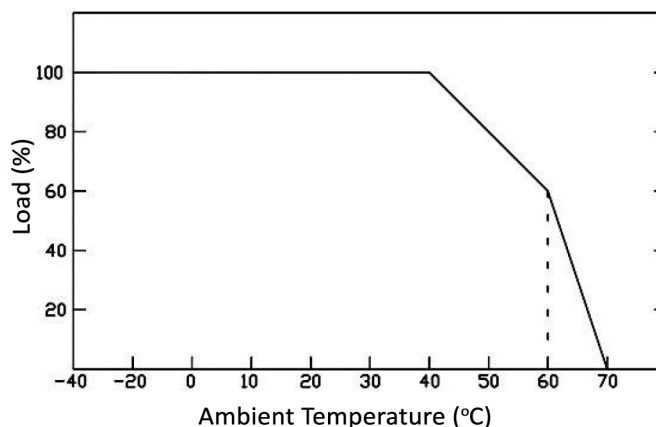
### Technical Specifications:

SKU	PWR-DIP-10W								PWR-DIP-20W							
Rated Current	450mA	400mA	350mA	300mA	250mA	200mA	150mA	100mA	700mA	600mA	550mA	500mA	450mA	400mA	350mA	250mA
DC Voltage	3-22V	3-25V	3-29V	3-33V	3-40V	3-42V	3-42V	3-42V	3-29V	3-33V	3-36V	3-40V	3-42V	3-42V	3-42V	3-42V
Rated Power	10W	10W	10W	10W	10W	8.4W	6.3W	4.2W	20.3W	19.8W	19.8W	20W	18.9W	16.8W	14.7W	10.5W
Input Voltage	100-277VAC															
Rated Frequency	47-63HZ															
Power Factor	up to 0.99								up to 0.9							
AC Current (Max.)	0.16A								0.15A							
Leakage Current	<0.50mA															
Short Circuit	Constant current mode, recovers automatically after fault condition is removed															
Working TEMP.	-40+60°C															
High Efficiency	up to 92%								up to 78%							
Load	10-100%															
Dimming	0-10V															
Dimming Range	0-100%															
Weight	0.264lbs															
Packing	5.70*1.96*1.41in. for inner box 12.59*11.02*8.46in. (50PCS/CTN ) for outer carton								6.37*1.96*1.41in. for inner box 12.59*11.02*8.46in. (50PCS/CTN ) for outer carton							

### Technical Specifications:

SKU	PWR-DIP-40W								PWR-DIP-60W							
Rated Current	0.3A	0.35A	0.4A	0.45A	0.5A	0.55A	0.6A	0.65A	2.1A	2.0A	1.9A	1.8A	1.7A	1.6A	1.5A	1.4A
DC Voltage	3-65V	3-65V	3-65V	3-65V	3-65V	3-65V	3-65V	3-62V	3-29V	3-30V	3-32V	3-33V	3-35V	3-38V	3-40V	3-43V
Rated Power	19.5W	22.8W	26W	29.3W	32.5W	35.8W	39W	40W	60W	60W	60W	60W	60W	60W	60W	60W
Rated Current	0.7A	0.8A	0.9A	1.0A	1.1A	1.2A	1.3A	1.4A	1.3A	1.2A	1.1A	1.0A	0.9A	0.8A	0.7A	0.6A
DC Voltage	3-57V	3-50V	3-45V	3-40V	3-37V	3-34V	3-31V	3-29V	3-46V	3-50V	3-55V	3-60V	3-65V	3-65V	3-65V	3-65V
Rated Power	40W	40W	40W	40W	40W	40W	40W	40W	60W	60W	60W	60W	58.5W	52.0W	45.5W	39.0W
Input Voltage	100-277VAC															
Rated Frequency	47-63HZ															
Power Factor	up to 0.9								up to 0.95							
AC Current (Max.)	0.29A								0.45A							
Leakage Current	<0.50mA															
Short Circuit	Constant current mode, recovers automatically after fault condition is removed															
Working TEMP.	-40+60°C															
High Efficiency	up to 85%								about 85%							
Load	10-100%															
Dimming	0-10V															
Dimming Range	0-100%															
Weight	0.77lbs															
Packing	7.08*2.16*1.41in. for inner box 12.59*11.02*8.46in. (50PCS/CTN ) for outer carton								7.87*2.55*1.02in. for inner box 12.59*11.02*8.46in. (50PCS/CTN ) for outer carton							

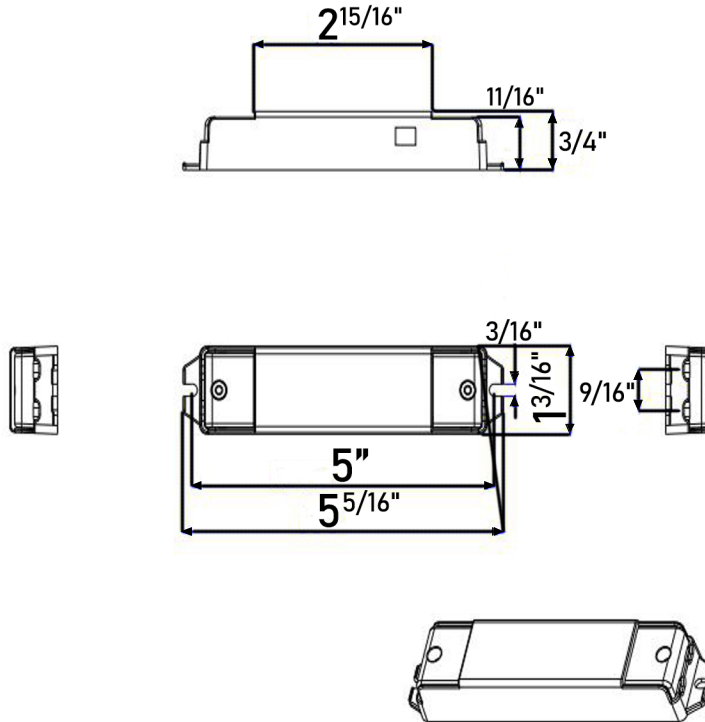
### Derating Curve:



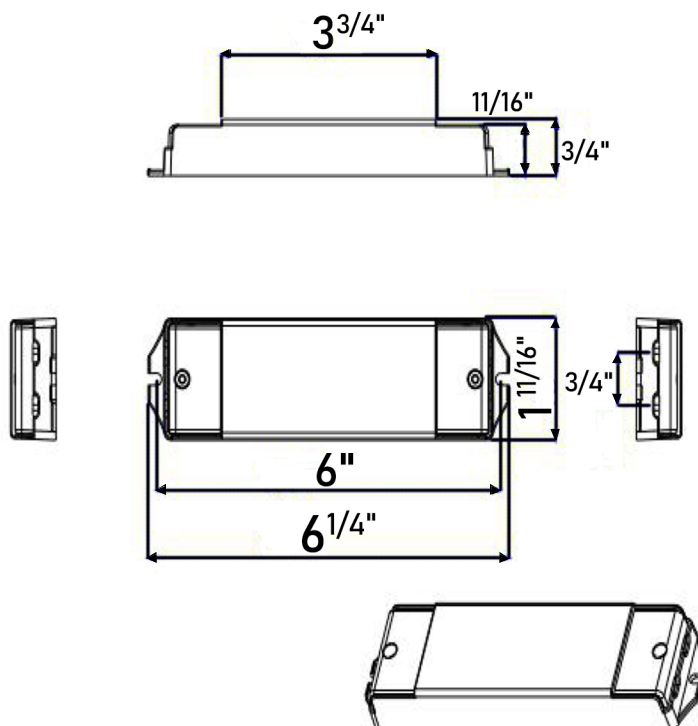
➤ To extend their life, please refer to the Derating Curve and derate according to the temperature.

### Mechanical Specifications:

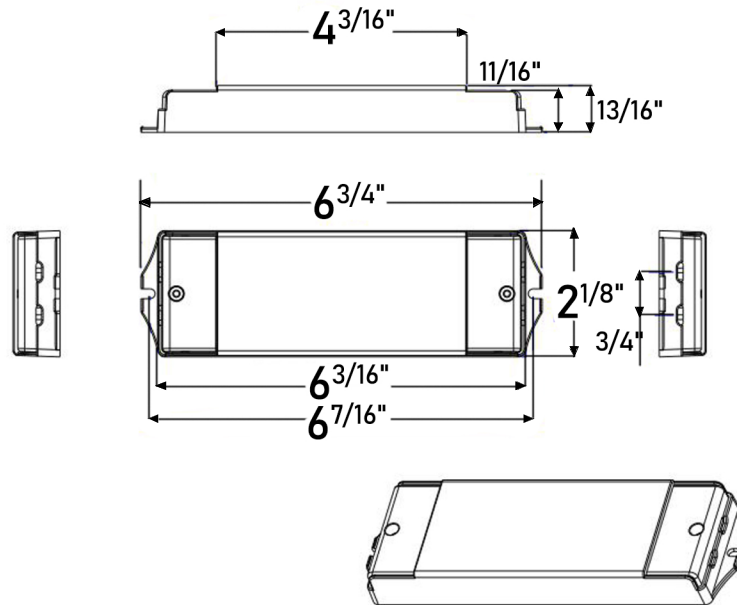
#### 10W



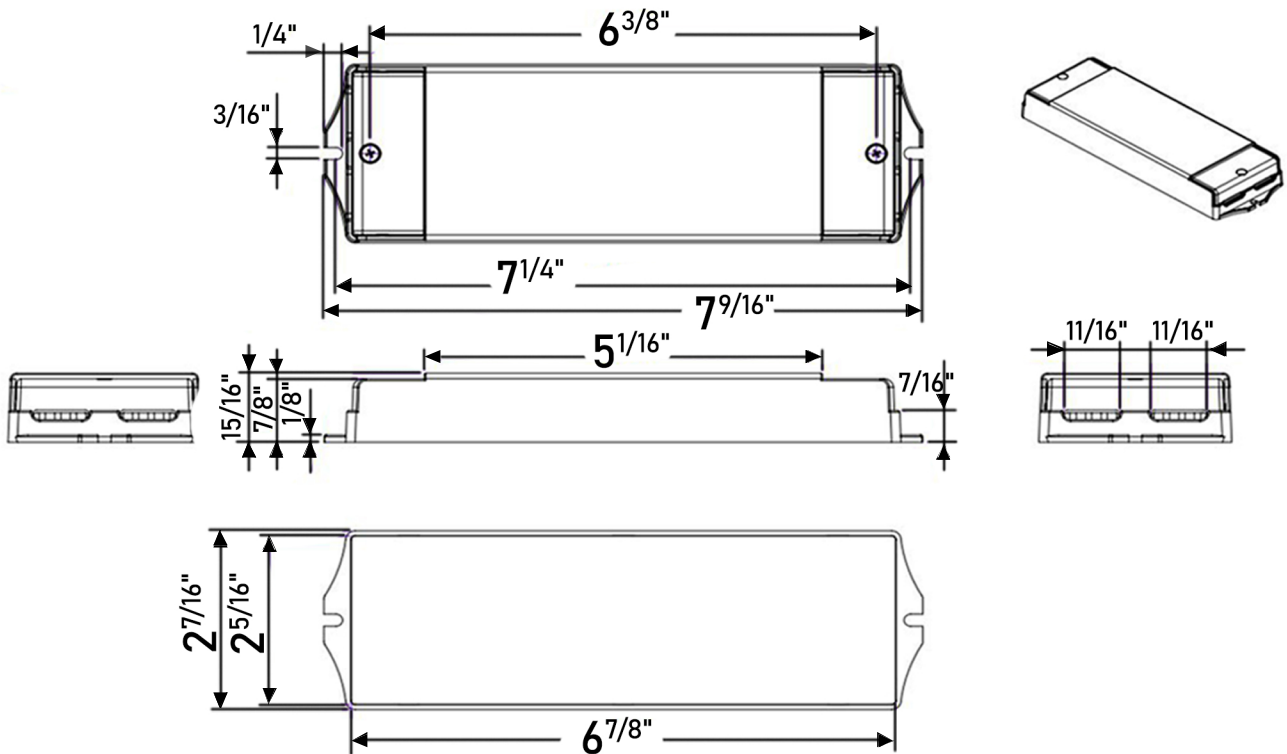
#### 20W



### 40W



### 60W



※Input terminals "Black" and "White" to connect to AC L and N.

※Output LED SEC output Positive (LED+) , output negative(LED-). Connected to LED light.

※Output terminals DIM (+) to 0/1-10V dimmer signal(+),DIM (-) white connect to 0/1-10V dimmer signal (-)

※Please DO NOT connect "DIM-" to "LED-", "DIM+" to " LED+" ,or other incorrect connection.

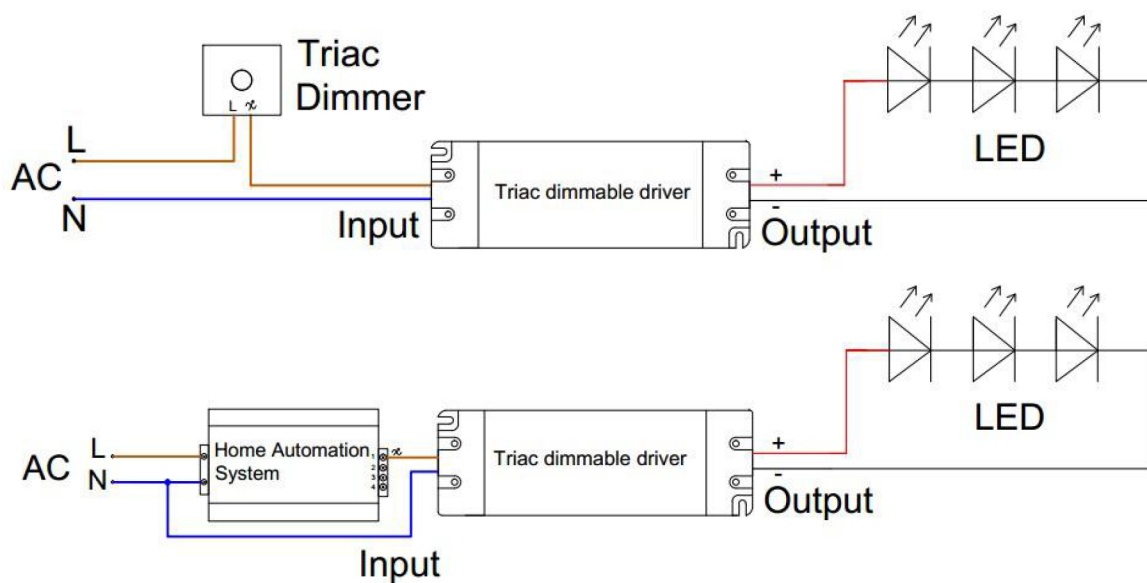
**Note:** Please make sure you connect these correctly otherwise your product will not function correctly and could be damaged



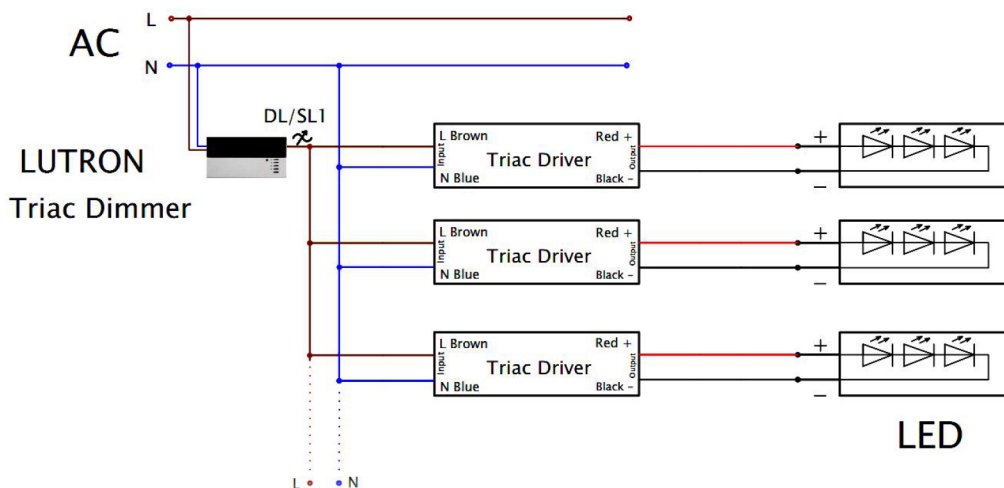
## Dimming Operation and Connecting Diagram: Using Triac/Phase Cut Dimming

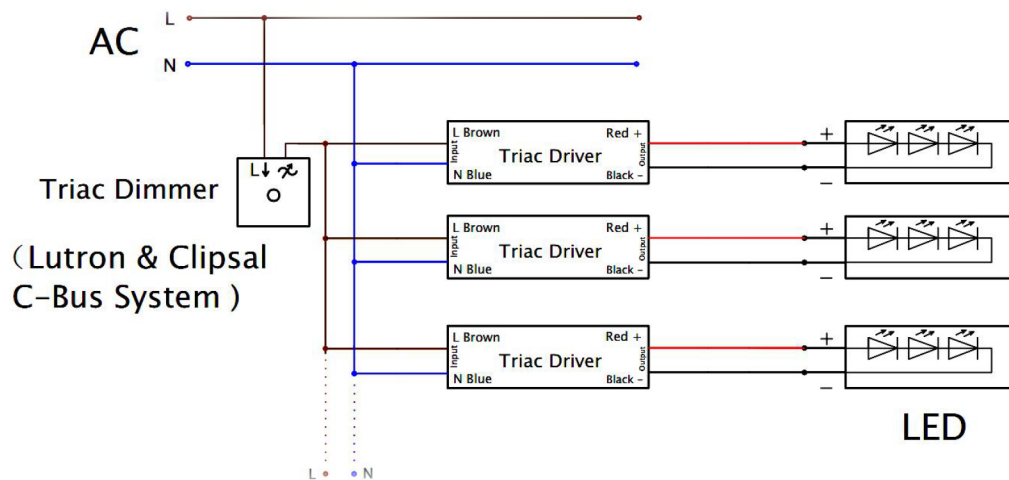
- 1.The Pulse-Width Modulation (PWM) of output voltage can be adjusted through input terminal of the AC phase line(L) by connection a phase /Triac dimmer of lighting system.
- 2.Work with forward phase /leading edge ,MLV and reverse phase /trailing edge ,ELV,TRIAC dimmers.
- 3.Please try to use dimmers with power at least 1.5 times as the output power of the driver.

### • Connecting Diagram in Single (I)

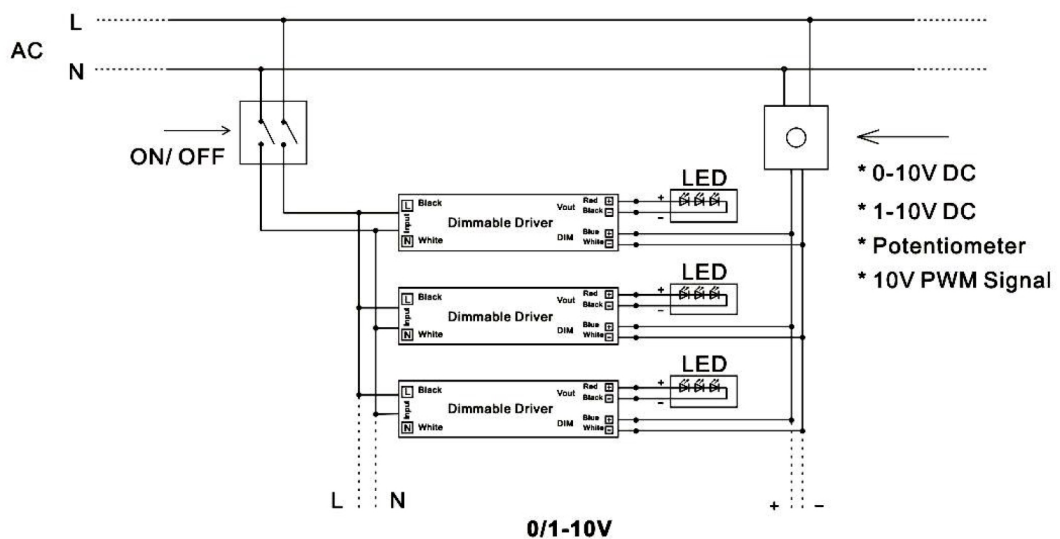
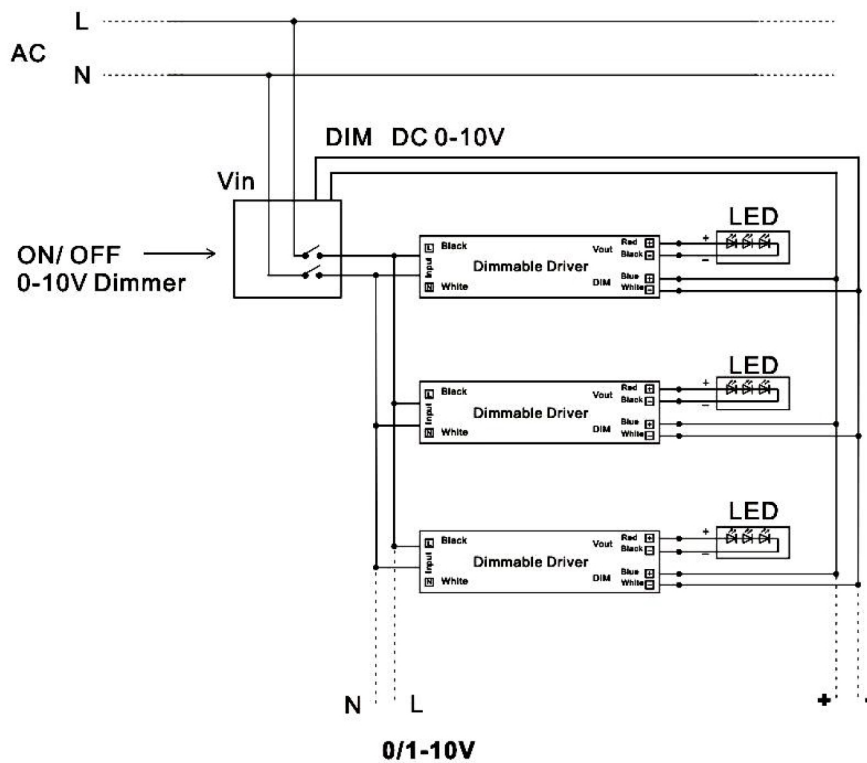


### • Connecting Diagram Multiple (II)





- Using one dimming 0-10V/1-10V dimming



### Ordering Guide:

Example: PWR-DIP-10W

Power <input type="text"/>	Dual In-Line Package <input type="text"/>	Wattage <input type="text"/>
<b>PWR</b>	<b>DIP</b>	<b>10W</b> <b>20W</b> <b>40W</b> <b>60W</b>

### Instructions:

- This driver should be installed by a qualified and professional person.
- Please make sure the driver is installed with adequate ventilation around it to allow for heat dissipation.
- Ensure that wiring is correct before a test to avoid light and power supply damage.