

RECESSED SLIM LINEAR FIXTURE

Description:

The innovative LR series boasts versatile 4" and 6" widths, with lengths extending up to 8 feet. This series delivers impressive illumination for various applications. Many of our clients have faced challenges with inventory management, but with the introduction of wattage-adjustable and CCT-selectable technology, fulfilling more orders with fewer SKUs is now possible.



Features:

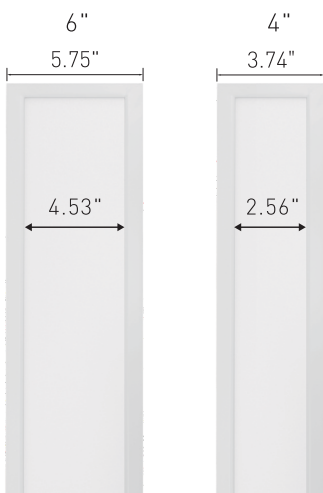
- Slim and linear design
- 2ft, 4ft and 8ft lengths, up to 1100LM/FT
- Available in 4", 6" width
- Wattage adjustable (50%/75%/100%)
- CCT selectable from 3000K, 3500K and 4000K

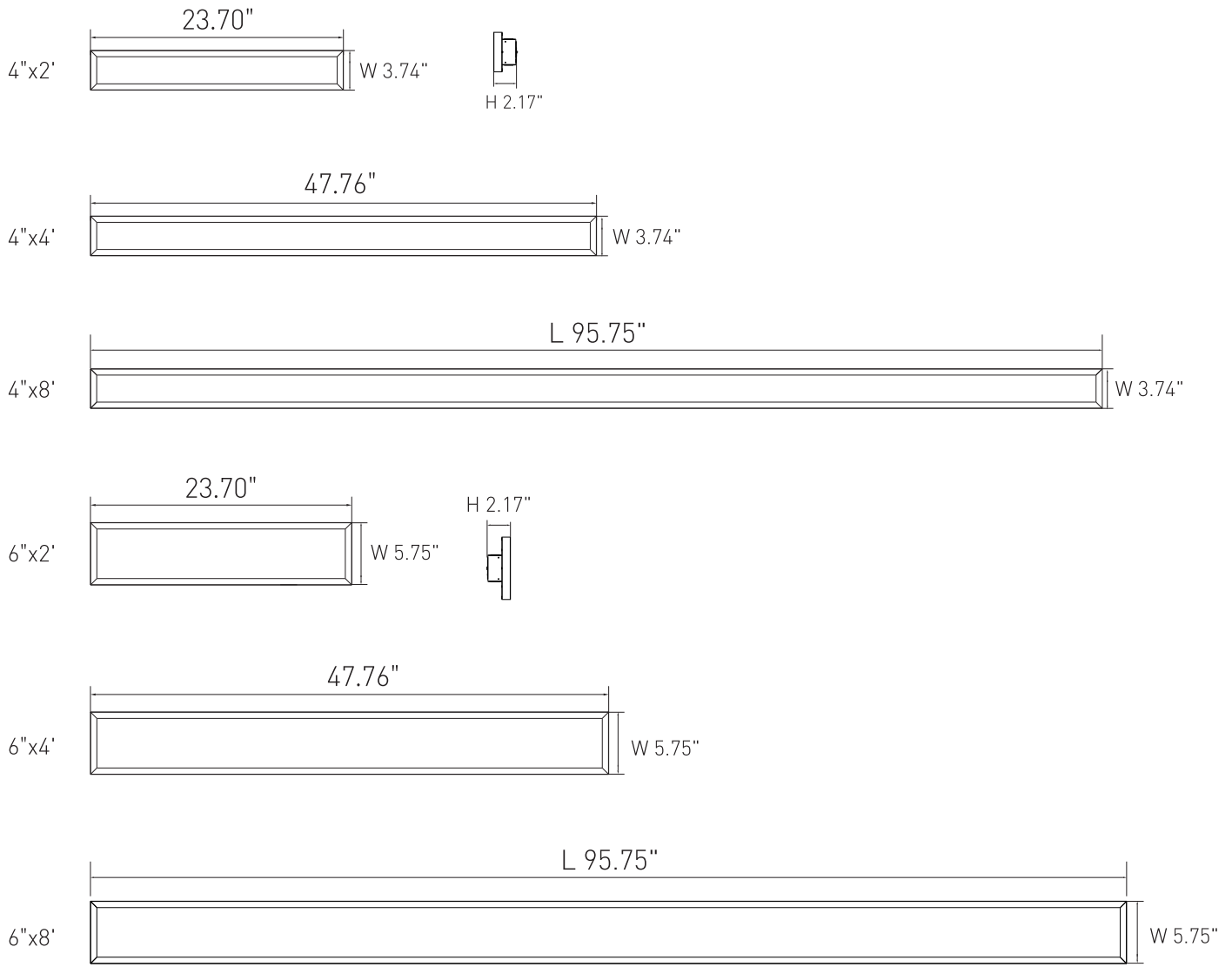


Applications:

- Offices,
- Schools
- Hospital
- Corridor light
- Industrial spaces

Dimensions:





Technical Specification:

Width	Lumen Output		
	High	Medium	Low
4"	850lm/ft, 10w/ft	640lm/ft, 7.5w/ft	430lm/ft, 5w/ft
6"	950lm/ft, 10w/ft	720lm/ft, 7.5w/ft	480lm/ft, 7.5w/ft

All efficacy is ±5% base on different CCT and wattage. Check the IES file to gain the accurate data .

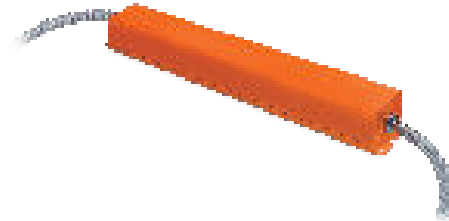
Input Voltage	120-277V AC.
Power Factor	>0.9
THD	<20%
Dimming	1-10V
Color Temperature	3000K/3500K/4000K/5000K
Mounting	Recessed
Lifespan	50,000 Hours
Warranty	5 Years

Optional Function:

Emergency Option:

Optional high voltage 8W emergency LED driver EM-L series can be provided. When AC power fails it immediately switches to the emergency , mode operating for lighting up to 120 minutes. , When AC power is restored it automatically , returns to the charging mode which meets critical life-safety lighting requirements.

For more info or spec sheet please visit our , website or contact sales



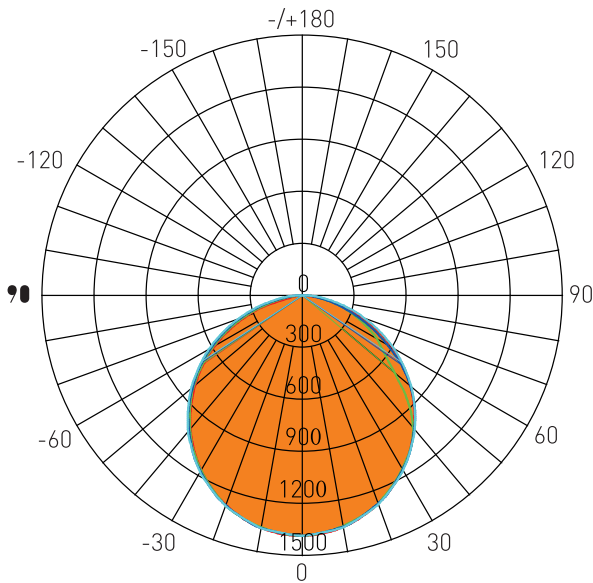
Sensor Option:

We can provide a factory-installed integrated sensor system for multi-level control based on motion and/or daylight contribution with BR1810BI-level & daylight harvest microwave sensor from SHARKWARD. For more info or spec sheet please contact sales.



DISTRIBUTION DIAGRAM

4"x4'



AVERAGE BEAM ANGLE(50%): 110.2°

Test Number: LR44-35E
 Lumens: 3773.4 Lm
 Watts: 40 W
 LPW: 94.34 Lm/W
 CCT: 3500K

UNIT: cd
 — C0/180,111.1°
 — C30/210,105.7°
 — C60/240,111.3°
 — C90/270,112.8°

Zonal Flux Diagram

τ	C0	C45	C90	C135	C180
5	1378	1372	1373	1374	1381
10	1357	1352	1359	1356	1362
15	1324	1322	1322	1328	1331
20	1279	1274	1284	1279	1287
25	1224	1223	1225	1226	1232
30	1159	1158	1166	1158	1165
35	1085	1084	1088	1074	1089
40	1002	1004	1010	958.2	1003
45	912.5	885.3	916.5	780.5	909.0
50	815.0	735.3	822.7	609.3	807.8
55	711.5	600.0	716.0	490.2	698.2
60	599.9	498.1	609.2	394.6	581.3
65	481.9	403.6	494.7	307.4	457.1
70	361.4	305.2	380.1	221.3	331.1
75	234.4	211.9	270.0	140.1	168.8
80	131.0	122.2	159.9	75.20	59.38
85	28.69	51.55	81.29	29.13	10.88
90	1.227	4.243	2.669	2.701	1.005

Zonal Lumens

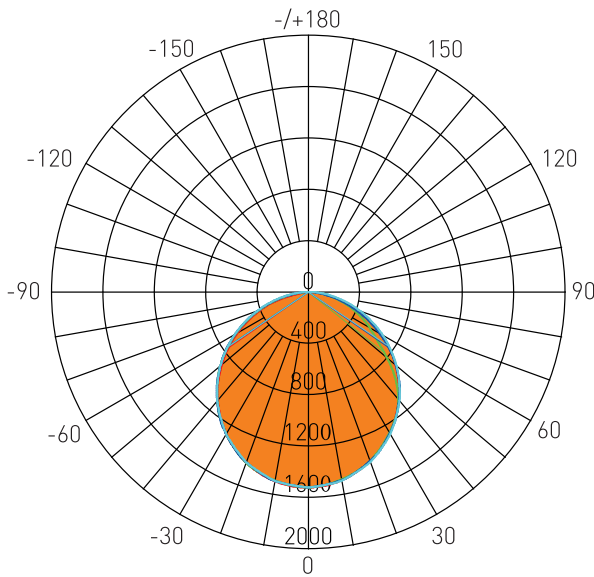
τ	φ total
0-5	32.98
5-10	130.7
10-15	289.8
15-20	504.6
20-25	767.9
25-30	1070
30-35	1402
35-40	1751
40-45	2104
45-50	2443
50-55	2757
55-60	3038
60-65	3279
65-70	3472
70-75	3616
75-80	3710
80-85	3759
85-90	3773

Luminance cd/(m2)

G(DEG)	C0/180	C90/270
85	4286	12145
80	9823	11991
75	11791	13583
70	13759	14470
65	14849	15240
60	15624	15865
55	16153	16254
50	16510	16666
45	16803	16877

DISTRIBUTION DIAGRAM

6"x4'



AVERAGE BEAM ANGLE(50%): 110.2°

Test Number: LR46-35E
 Lumens: 4180.4 Lm
 Watts: 40 W
 LPW: 104.51 Lm/W
 CCT: 3500K

UNIT: cd
 — C0/180,110.8°
 — C30/210,107.0°
 — C60/240,111.2°
 — C90/270,111.8°

Zonal Flux Diagram

τ	C0	C45	C90	C135	C180
5	1513	1507	1508	1510	1518
10	1489	1485	1494	1491	1498
15	1452	1452	1452	1461	1464
20	1402	1399	1411	1408	1415
25	1340	1341	1345	1349	1354
30	1268	1269	1278	1271	1280
35	1185	1186	1192	1177	1195
40	1094	1098	1105	1067	1100
45	995.5	978.4	1002	914.6	995.9
50	889.3	838.9	898.4	746.0	884.3
55	777.1	689.3	783.0	605.3	764.9
60	659.0	562.4	667.6	484.8	639.7
65	536.6	454.9	546.6	376.9	511.3
70	413.3	349.1	425.5	276.8	382.3
75	287.0	244.2	309.4	186.1	238.8
80	164.7	144.4	193.3	107.6	79.40
85	40.56	63.05	98.59	46.12	17.81
90	3.175	4.753	3.887	2.886	0.5494

Zonal Lumens

τ	φ total
0-5	36.22
5-10	143.5
10-15	318.2
15-20	553.9
20-25	842.6
25-30	1174
30-35	1537
35-40	1917
40-45	2303
45-50	2677
50-55	3025
55-60	3337
60-65	3605
65-70	3824
70-75	3990
75-80	4102
80-85	4162
85-90	4180

Luminance cd/(m2)

G(DEG)	C0/180	C90/270
85	3368	8185
80	6864	8054
75	8024	8650
70	8745	9002
65	9187	9358
60	9536	9662
55	9803	9878
50	10011	10113
45	10188	10249



Ordering Guide:

Example: NUR-LR44-CCT-DIM

Series <input type="text" value="NUR-LR"/>	Type <input type="text"/>	Color Temperature <input type="text" value="CCT"/>	Dimmable <input type="text" value="DIM"/>
	44 4' length 40W 4" width 86 8' length 80W 6" width 46 4' Length 40W 6" width	CCT Adjustable 3000K, 3500K 4000K	0-10V Dimmable