

# ELV/MLV/TRIAC ELECTRONIC TRANSFORMER INSTALL GUIDE

## Installation Guide for LED Transformer:

### Caution :

- Read the instructions completely before installation.
- Turn off the electricity before wiring.
- Only qualified personnel should install the unit.
- Installation must comply with the NEC (National Electrical Code).
- Ensure the unit has proper input, output voltage, and output wattage for your application.



## Mounting:

The LED driver must be **mounted in at least 5 inches of free-flow air space** to ensure proper ventilation.

Never mount the LED driver next to or above heat-radiated objects.

The maximum ambient temperature should not exceed 50°C (110°F).

Suitable for dry and damp environments (IP20).

## Input Connection:

- Bring your line and neutral wires and connect them to the driver's:
  - Black (live)** power supply lead.
  - White (neutral)** power supply lead.

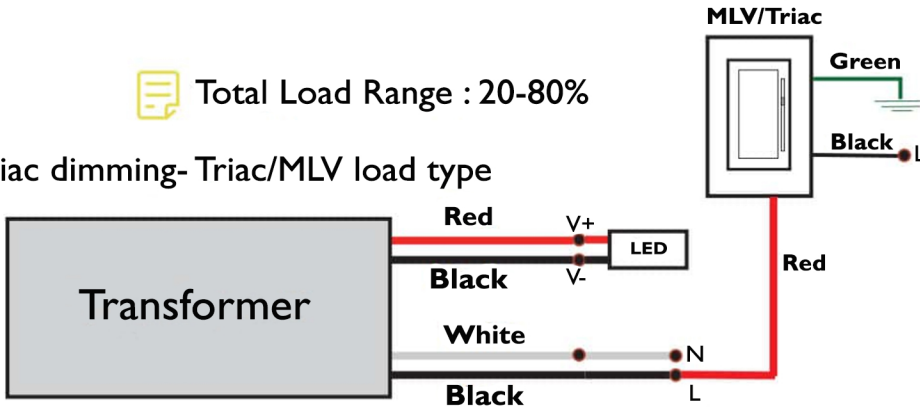
## Output Connection:

- Bring your **light wires** and connect them to the driver's lead wires:
  - V+ (positive)** to **Red**.
  - V- (negative)** to **Black**.
- Ensure all connections are **tight and secure**.

## Wiring Diagram:

Total Load Range : 20-80%

Triac dimming- Triac/MLV load type



Total Load Range : 20-80%

Triac dimming- ELV load type

