

# 4" and 6" DOWNLIGHT TRIM INSTALL GUIDE

## Description:

This 4" and 6" Downlight Trim Install Guide provides step-by-step instructions to help you safely and efficiently install a 6" recessed downlight trim into your home or workspace. By following these steps, you will improve the aesthetics and illumination of your space with the addition of this recessed downlight trim.



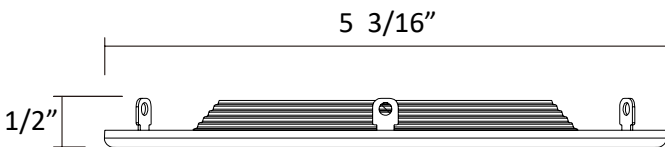
## Trim Colors:

4" and 6" downlight trims are available in 3 colors.

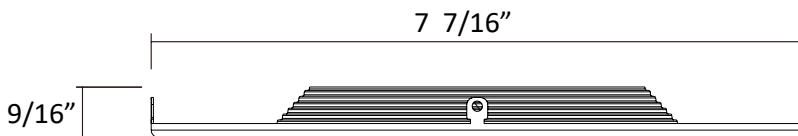
1. Bronze
2. Brushed Nickel
3. Black

## Dimensions:

### 4 inch



### 6 inch

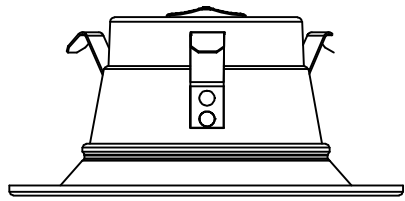


### Easy Installation without tools:

1. Select the appropriate interchangeable trim based on the size of the downlight.



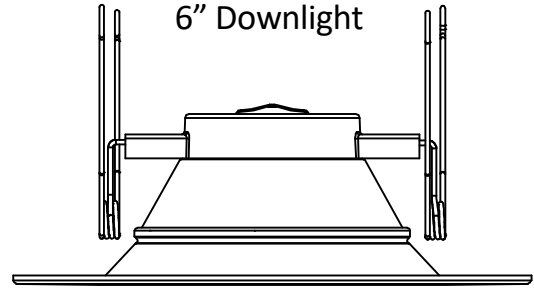
4" Downlight



SKU: DWN-NUR-CCT-R-4-10W(2Pack)

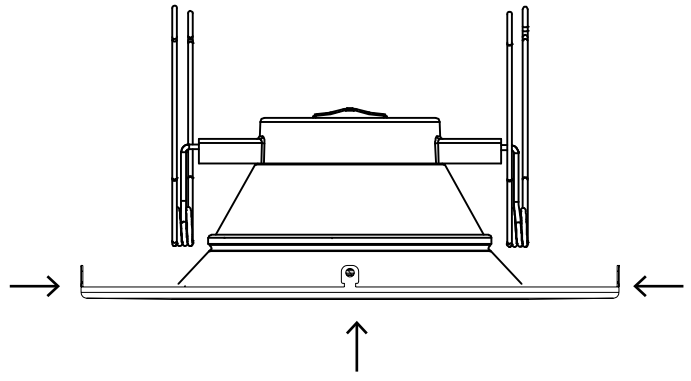
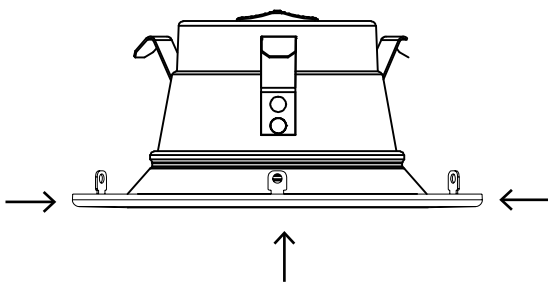


6" Downlight

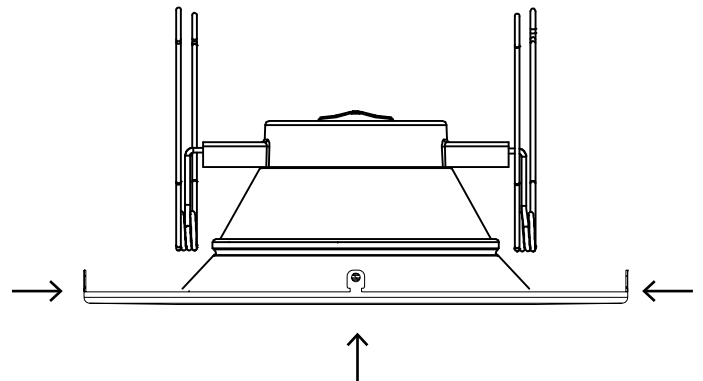
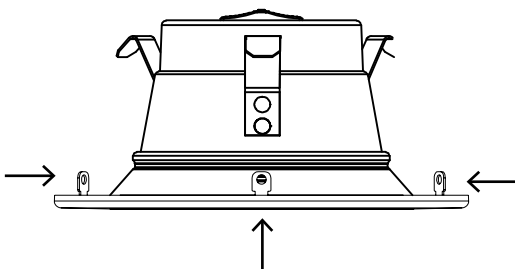


SKU: DWN-NUR-CCT-R-5/6-15W(2Pack)

2. Attach the interchangeable trim onto the downlight.



3. Flatten the four clamps to secure the trim to the fixture.





ORDERING GUIDE		Example: DWN-TRIM-4-BK
<b>Downlight Trim</b> DWN-TRIM	<b>Trim Size</b> <input type="text"/>	<b>Trim Color</b> <input type="text"/>
	<b>4</b> 4 inch <b>6</b> 6 inch	<b>BK</b> Black <b>BN</b> Brushed Nickel <b>BNZ</b> Bronze