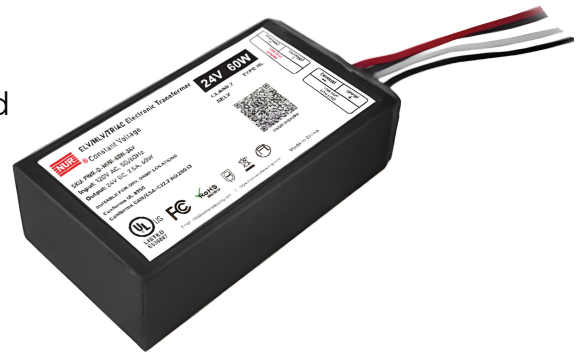


# WATERPROOF 12V/24V 60W DIMMABLE CONSTANT VOLTAGE LED DRIVER POWER SUPPLY MANUFACTURERS

## DESCRIPTION:

The 60W Dimmable is a compact, easy-to-install constant voltage electronic transformer, designed to be compatible with popular dimmers on the market. This low voltage power supply is perfect for outdoor use and boasts an IP67 rating for durability and reliability in various conditions.



## FEATURES:

- Universal AC input 120V
- DC output: 12V or 24V options
- Constant Voltage
- Max Wattage Output: 60-Watts
- Outdoor Rating: IP67 - Waterproof up to 3 ft deep and for 30 minutes
- Dimmable: TRIAC, ELV, MLV
- Secondary features to be listed: Universal AC input 120V
- Safety Standards: UL8750, Class 2
- Certification: UL
- Warranty: 3 years



## APPLICATIONS:

- Low Voltage Power Supply
- Home
- Office
- Landscape
- Outdoors

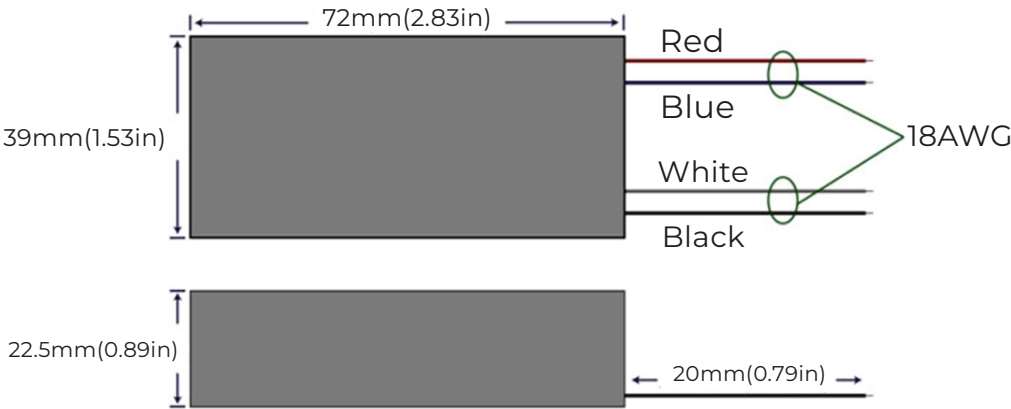
## DIMENSION:



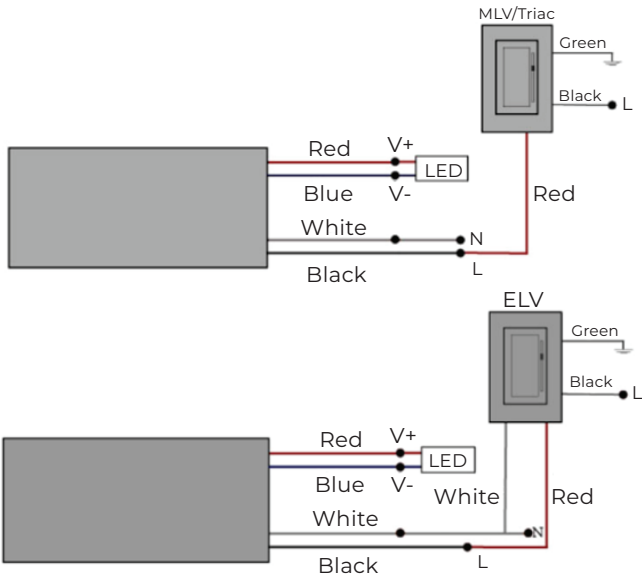
## TECHNICAL SPECIFICATIONS:

<b>Power Output</b>	12V = 60W	24V = 60W
<b>Rated Current Output</b>	12V = 5A	24V = 2.5A
<b>Voltage Tolerance</b>	±0.5V	
<b>Voltage Regulation</b>	±0.5%	
<b>Load Regulation</b>	±1%	
<b>Voltage Input</b>	120V	
<b>Frequency Range</b>	47-63HZ	
<b>Efficiency (Typ.)</b>	88%@120VAC	
<b>Total Harmonic Distortion</b>	THD < 20% (@100% load)	
<b>Power Factor (Typ.)</b>	0.98@129VAC	
<b>AC Current (Typ.)</b>	0.58A	
<b>Leakage Current</b>	<0.5mA/120VAC	
<b>Short Circuite Protection</b>	Hiccup mode recovers automatically after the fault conditions are removed.	
<b>Over Load Protection</b>	Hiccup mode recovers automatically after the fault condition is removed.	
<b>Temperature Coefficient</b>	32°~122°F	

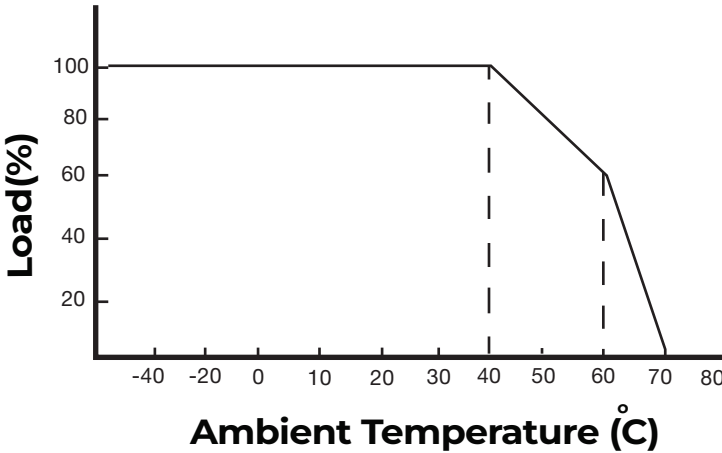
# MECHANICAL DIAGRAM:



# WIRING DIAGRAM:



# TECHNOLOGY CURVE:



ORDERING GUIDE		EXAMPLE: PWR-D-MINI-60W-24V	
Power	Minimum	Watt	Voltage
<b>PWR-D</b>	<b>MINI</b>	<b>60W</b>	<input type="text"/>
			<b>12V</b> <b>24V</b>