

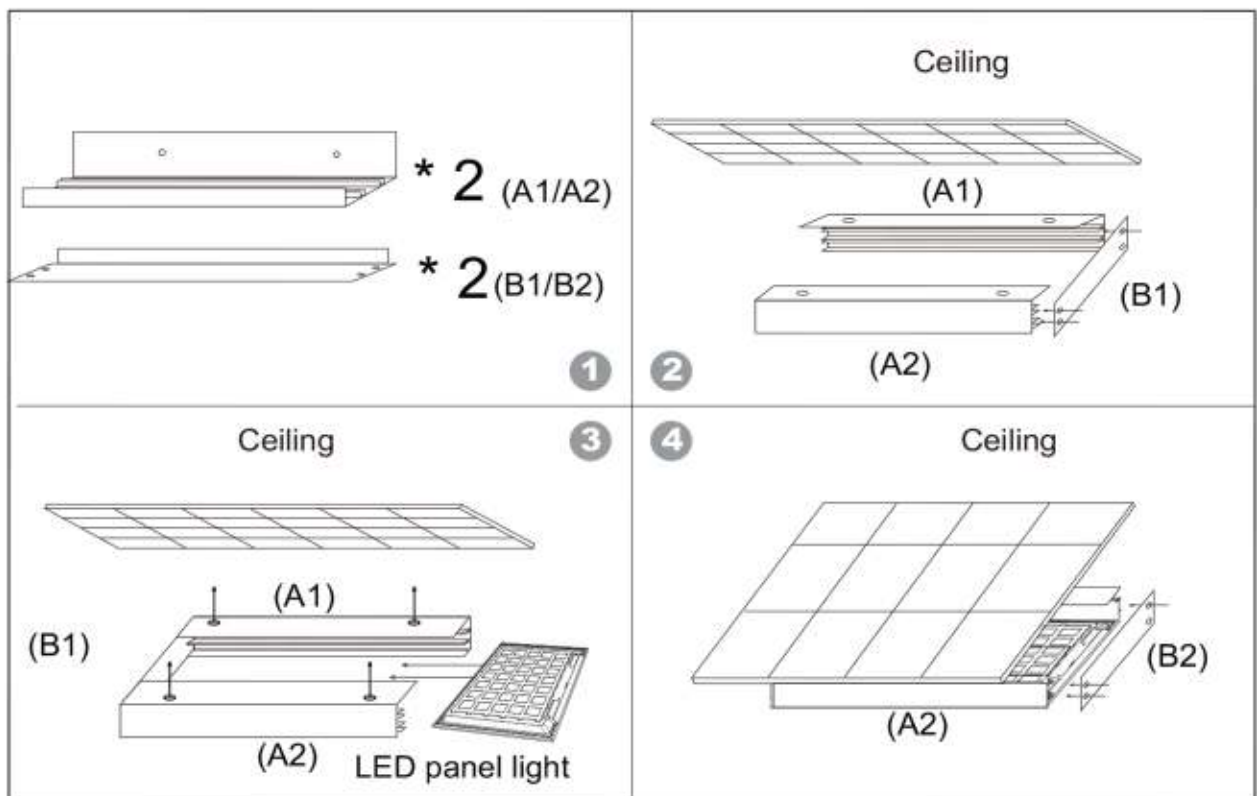
SURFACE MOUNT FRAME KIT FOR PANEL LIGHT INSTRUCTION



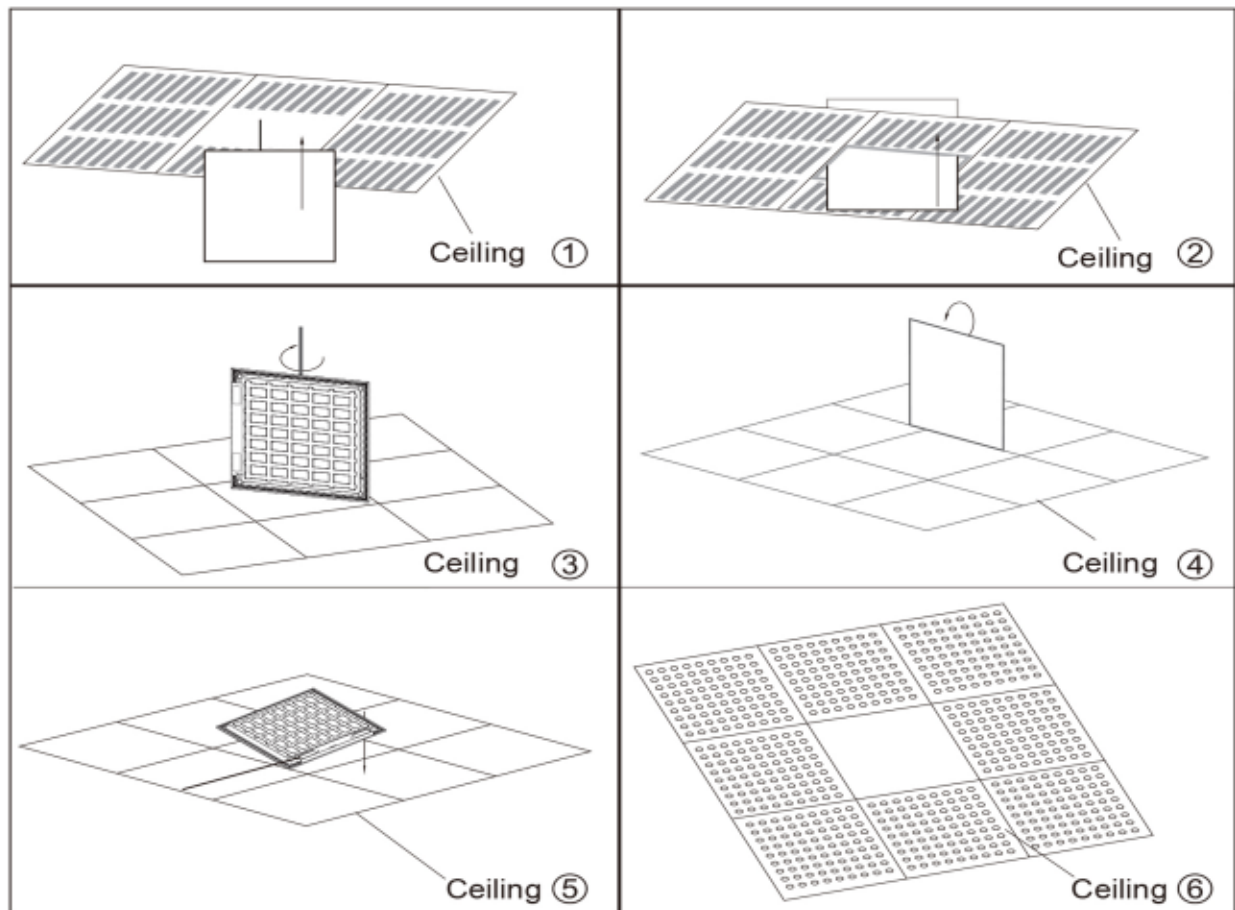
Attention

- a. Do not allow to use scouring powder, abrasive powder, oil and acid alkaline type detergent.
- b. Do not spray air fresheners, disinfectant, cleaning organic solvents directly on light-emitting surface.
- c. Do not allow wire connectors to have contact with water.
- d. Do not allow sharp objects to scratch the lamp, especially the light-emitting surface.

Surface Mount:

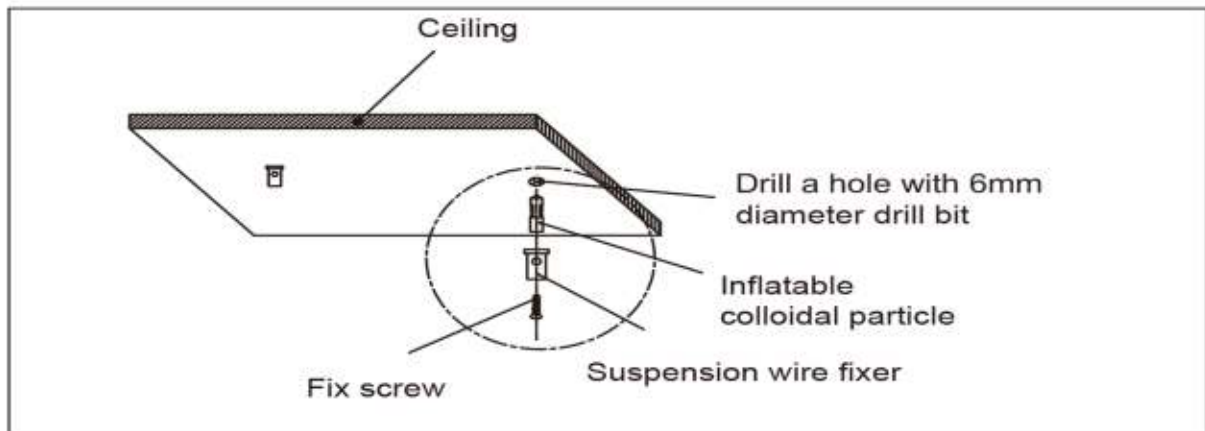


1. Parts A1,A2, B1,B2;
2. First install A1, A2, and B1(as illustrated);
3. As is shown in the figure,fix A1 and A2 on the ceiling or on the roof,and then insert the Back-lit panel light directly(the end with power source enters later);
4. Install B2, finish installation.

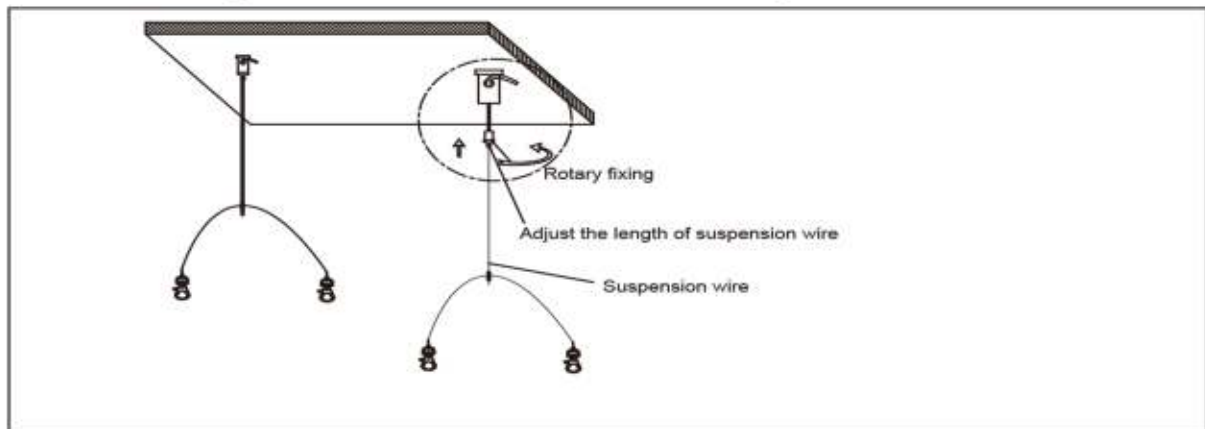
Recessed Mount:

1. Ensure the panel light works well before installation, put the back-lit panel light at a diagonal position.
2. Set the driver aside and insert panel light into ceiling.
3. Rotate the panel light 45° in horizontal direction to make the front of panel face the ceiling square hole.
4. Rotate the panel light 90° in vertical direction to make it correspond to the recessed frame and be sure the front of the panel is facing the ground.
5. Embed the panel light into ceiling. Adjust it to a suitable position to make it flush against the ceiling.

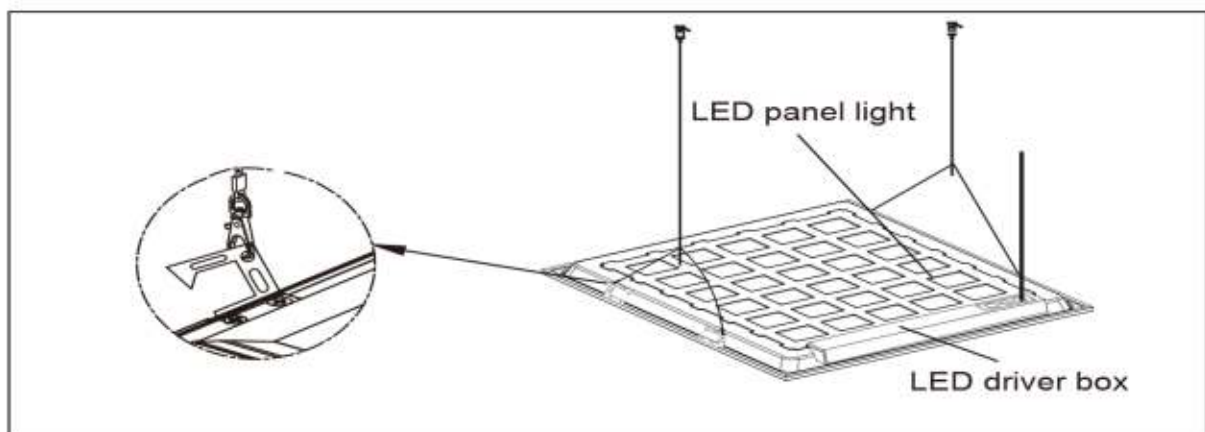
Suspension Mount:



1. Fix the suspension wire fixer on the ceiling



2. Fix the suspension wire on the ceiling



3. Connect LED panel light by the hook of suspension wire