

LED ROUND CANOPY (CNPY02)

Features:

- Sealed die-casting profile for indoor and outdoor applications.
- Input Voltage is 120-277V ac (In Stock), 347-480V ac (Special Order only)
- Lumen output from 3400-6150lm with efficacy up to 118lm/W.
- Optional clear lens or frosted lens as per applications.
- Dimmable: Yes
- Lens: Clear lens
- Sensor-operational
- Increase energy savings with bi-level PIR sensor.
- 45W LED Round Canopy light replaces 175W MH.
- Operating temperature is -40 °F to 104 °F (-40 °C to 40 °C).
- Suitable for wet locations.

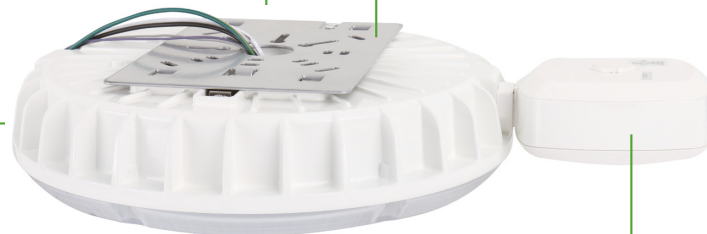


3/4inch threaded hole
support pendant mounting, wires coming
out from the back for easier wire connections.

Mounting Bracket
Suitable for J-BOX mounting,
and easy for installation.

Housing
One piece die case housing better
waterproofing, suitable for both
indoor and outdoor application.

Lens
Clear and frosted lens optional
for different applications.



PIR Sensor
Optional PIR sensor allows for
security and energy saving.

Applications:

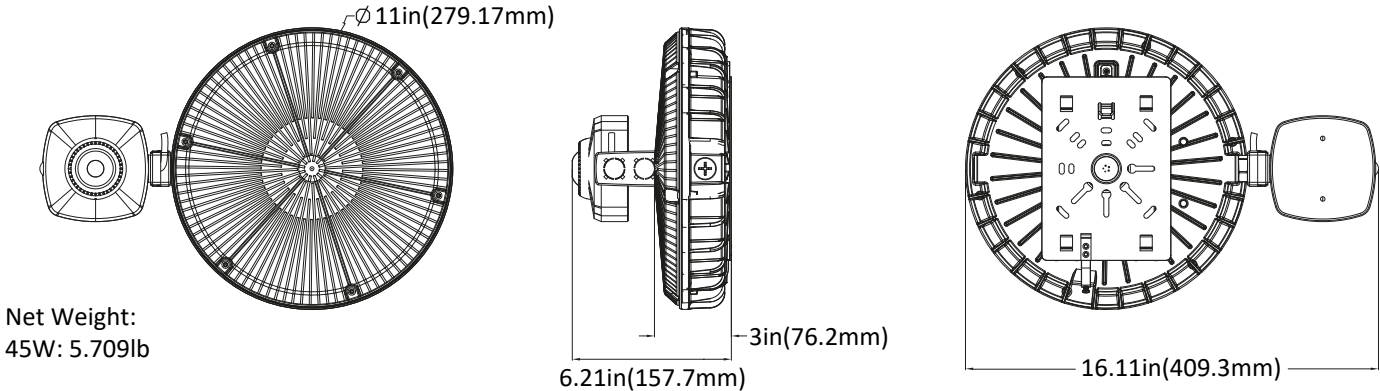
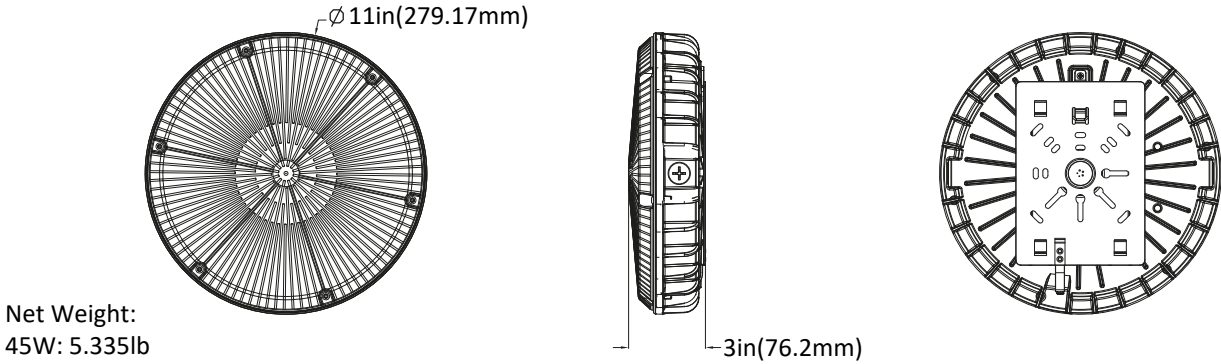
- Parking Structures
- Storage Areas
- Shopping Area Walkways
- Entryway
- Low Level Security

Accessories:

- Sensor



Dimensions:



PERFORMANCE DATA

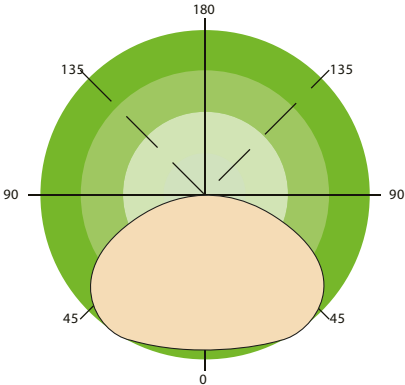
SYSTEM WATTS	LENS	VOLTAGE	LUMENS	LPW	Color Temperature	CRI	REPLACES
45W	Clear Lens	120-277VAC	4850lm	108lm/W	5000K	70	175W MH

ELECTRICAL DATA

Number Of Drivers	Current Drive (mA)	Nominal Power (W)	Input Voltage (V)	Current (Amps)
1	1.12	45	120	0.38
		45	208	0.22
		45	240	0.19
		45	277	0.16

Optical Distribution:

General



ORDERING GUIDE					Example: NUR-CNPY-R-45W-5000K-DIM-WHT
Fixture Type <input type="text"/>	Wattage <input type="text"/>	Input Voltage <input type="text"/>	Color Temperature <input type="text"/>	Sensor (Option) <input type="text"/>	
CNPY02	45 45W	27V 120-277V 34V 347V	50K 5000K	Blank Without Sensor M With Sensor	

Note: The Watt is 45W when the voltage is 120-277V, while when it is 347V, the watt is 50W.

DLC Model No.					
System Watts	Voltage	CCT	Dimmable	DLC No.	DLC Classification
45W	120-277V	5000K	Yes	MCP0245W27V50K[D,B,W][Blank,M]DC	Standard