

SINGLE COLOR SLIM LED MODULE 20 PCS/8 FT STRING 12V DC

Description:

Our modules offer the perfect solution for integrating LEDs into your indoor and outdoor applications, including display case lighting, signage lighting, store window lighting, and even automotive lighting. Each pack contains 20 linked modules, making it easy to incorporate them into your project. With our LED modules, you can create eye-catching and energy-efficient lighting solutions that are sure to impress.



Features:

- Super high-lumen SMD5730 LEDs, with each LED capable of reaching 35-40lm. This means you'll enjoy bright and vibrant lighting that will make an impact.
- Our product is designed with versatility in mind. With a maximum module quantity per string of up to 20 PCs, you can easily customize your lighting setup to suit your needs.
- Our product is built to last. With waterproof ABS housing and epoxy-sealed construction, you can rely on our product to withstand the elements and perform reliably in any environment.



Applications:

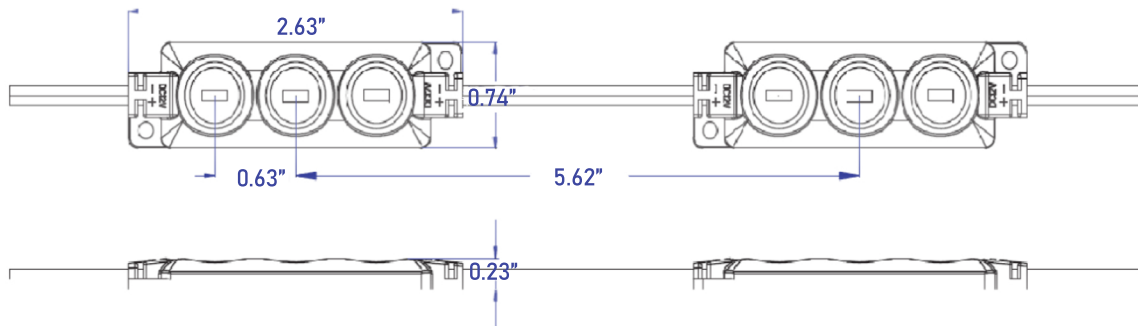
- Display case lighting
- Cabinet lighting
- Signage lighting
- Store window lighting
- Automotive lighting

Technical Specification:

Power	22W Per Pack
Brightness	2000-2400 lumens per pack
Beam Angle	120°
Color Temperature	5600°k, Amber, Green, Blue, Red
Input Voltage	12V DC
Working Life Span	50,000 hrs
Luminous Flux	100-120lm
Working Voltage	12VDC
Dimension	2.63*0.74*0.23in
CRI	80
Working Temperature	-4°F ~ +104°F
Storage Temperature	-13°F~ +140°F
Material	ABS
Net Weight	8g
IP Rating	65
Warranty	3 years

Dimension:

Unit: Inch



Ordering Guide		MOD-S-5730-20PC-5600K - BLK	
Model	Pcs	Color Temperature	Black
MOD-S-5730	20PC	5600°k Amber Blue Red Green	BLK