

RGB+CCT SMART GARDEN LIGHT – 100W INSTALL GUIDE

Features

This product is made of a aluminium alloy covers with fashionable appearance, waterproof and dustproof, energy saving and environmental protecting, etc features. Widely used on park, apartment, gardens and street, etc.



RGB+CCT
16 Millions of colors to choose



Color temperature
2700~6500K



Dimmable
Saturation control



2.4G RF wireless transmission
technology



Signal transmitting &
Modes synchronization



Remote control
Control distance 30m



Smart phone APP control
(2.4GHz gateway is needed)



Support third party voice control
(2.4GHz gateway is needed)



Waterproof and dustproof
grade IP65



Beam angle 25°
Illumination distance Greater than 15m

Parameters

MILI-GL-50W-RGBCB-OD-120V

Input Voltage: AC100~240V 50/60Hz

Power: 50W

Working Temperature: -20~60°C

Color Temperature: 2700K~6500K

Luminous Flux: 4000LM

Light Efficiency: 80LM/W

CRI: >80 PF: >0.9

Lifespan: 50000 hours

Beam Angle: 25°

Illumination Distance: >49.2 ft

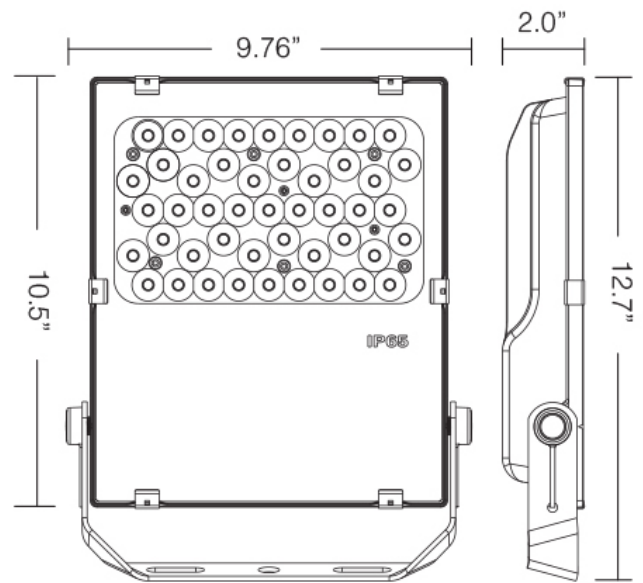
IP Rate: IP65

RF: 2.4GHz

Control Distance: 98.2 ft

Material: Aluminum

Product Weight: 5.56 lbs



MILI-GL-100W-RGBCB-OD-120V

Input Voltage: AC100~240V 50/60Hz

Power: 100W

Working Temperature: -20~60°C

Color Temperature: 2700K~6500K

Luminous Flux: 7500LM

Light Efficiency: 75LM/W

CRI: >80 PF: >0.9

Lifespan: 50000 hours

Beam Angle: 25°

Illumination Distance: > 49.2 ft

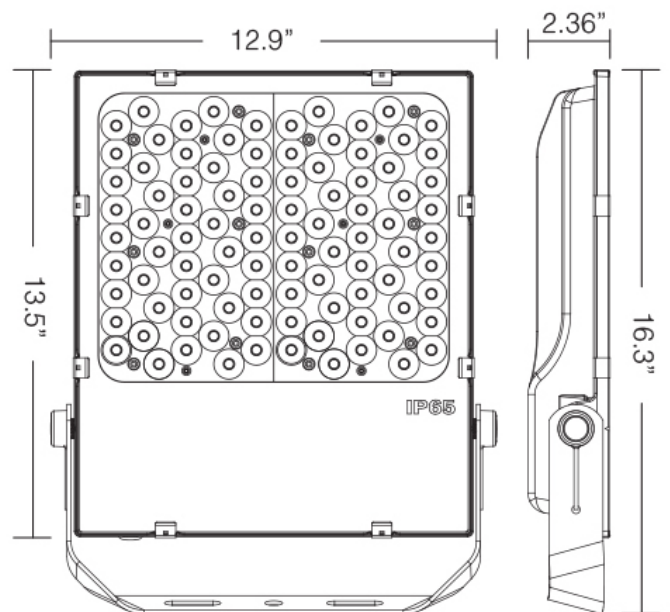
IP Rate: IP65

RF: 2.4GHz

Control Distance: 98.2 ft

Material: Aluminum

Product Weight: 9.98 lbs

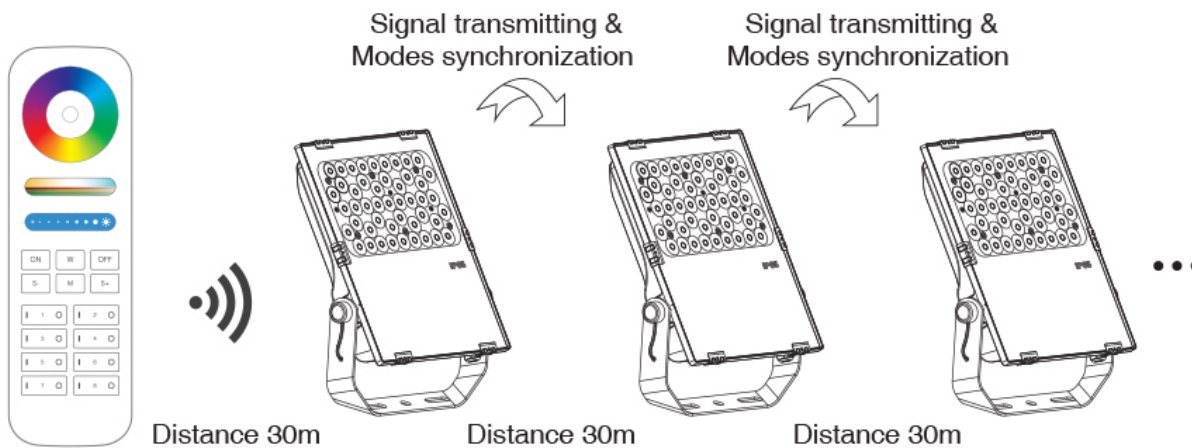


Signal transmitting

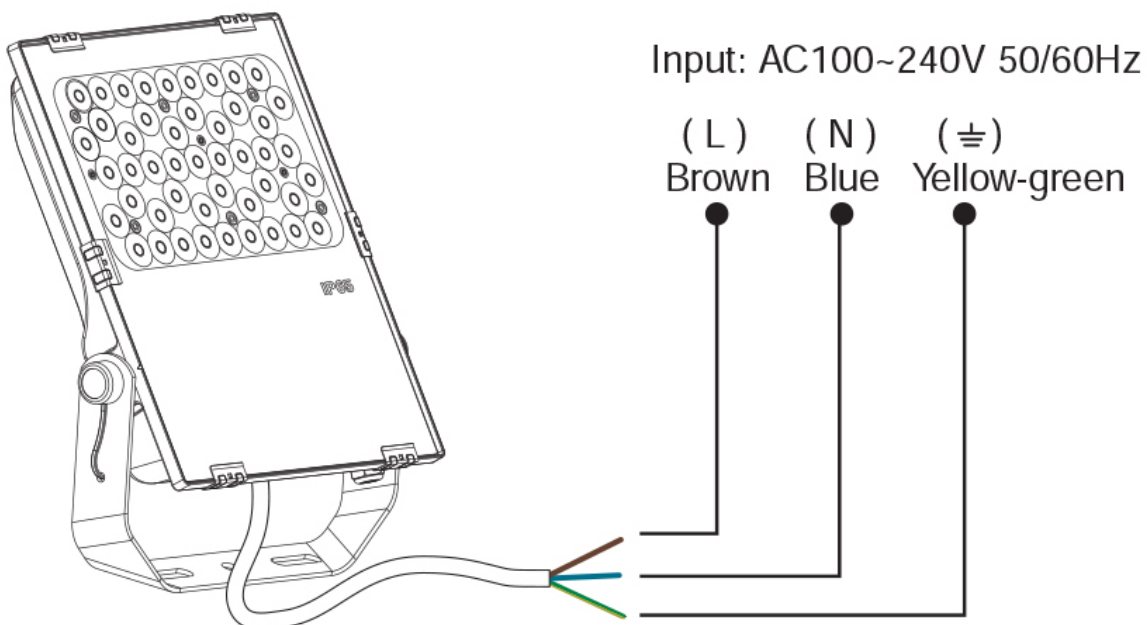
One lighting fixture can transmit the signals from the remote control to another lighting fixture within 30m, as long as there is a lighting fixture within 30m, the remote control distance can be limitless.

Modes synchronization

Different lighting fixture can work synchronously when they are started at different times, controlled by the same remote, under same dynamic mode and within 30m distance.



Connection Diagram

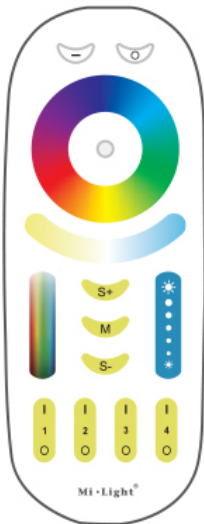


Link/Unlink

Compatible with these remote controls (Purchased separately)



FUT089



FUT092



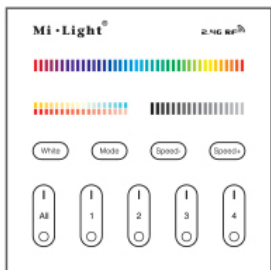
FUT088



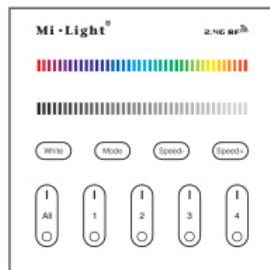
FUT096



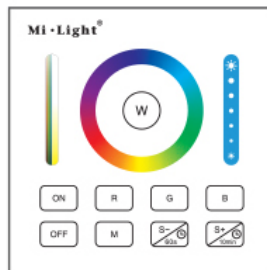
B8



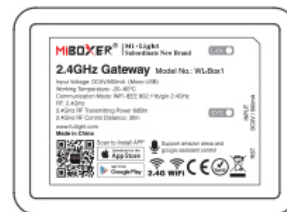
B4 / T4



B3 / T3



B0



WL-Box1

NOTE:

Lighting can be working after linking with remote; for more details, pls read the remote instruction.

Dynamic Mode Sheet

Number	Dynamic Mode	Brightness / Saturation / Speed
1	Mardi gras	Adjustable
2	Automatic color change	
3	Sam	
4	Gemstone	
5	Twilight	
6	American	
7	Fat tuesday	
8	Party	
9	Slow color splash	

Attention

1. When install the lighting fixtures, pls switch off the power to make sure the safty.
2. Please check whether the input voltage supply is in accordance with the lighting fixtures, and please check the connection of both the cathode and anode.
3. The working power is high voltage alternating current, so it must be far away from people and must with ground connection.
4. As the power is large, user must choose suitable power cable when connecting.
5. Non-professional user cannot dismantle the lighting fixtures directly, otherwise, it may cause fire and electric shock.
6. Please do not use lighting fixtures around the mental area and high magnetic field, otherwise, it will badly affect the control distance.
7. The lighting fixtures will be heating on working, pls do not cover the lighting housing.



Signal transmitting &
Modes synchronization

Made in China