

# MR16 SOLID BRASS UNDERWATER LIGHT FIXTURE

## DESCRIPTION:

IP68 rated die-cast brass fixture; built to withstand even the toughest conditions. With corrosion-free properties and shock-resistant glass, this fixture is perfect for underwater lighting applications. Compatible with MR16 bulbs (sold separately) and featuring a watertight seal, it is ideal for ponds, waterfalls, streams, and fountains.



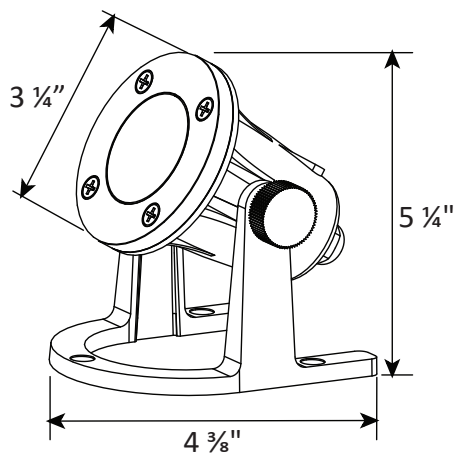
## TECHNICAL FEATURES:

- SKU: NUR-LT2801-BR-UW-MR16
- Material: Die-cast brass with an antique brass finish
- Body: Precision machined from solid brass casting; fully potted wire cavity for a watertight seal
- Shroud: Flat design with captivated stainless steel screws; compatible with additional lens/hex cell accessories
- Lens: Shock-resistant glass
- Gasket: High temperature silicone O-ring for a watertight seal
- Lamp Compatibility: Suitable for LED lamps up to 50W MR16 (Sold Separately)
- Lead Wire: Standard 72" SJTW 16 gauge wire
- Waterproof Rating: IP68
- Warranty: 5 years

## APPLICATIONS:

- Ponds
- Waterfalls
- Streams
- Fountains

## DIMENSIONS:



**BULBS THAT CAN BE USED WITH THIS FIXTURE:****MR16 OUTDOOR IP65 LED BULB:**

- SKU: NUR-LT1016-MR16-7W-15D-2700K  
NUR-LT1016-MR16-7W-15D-4000K  
NUR-LT1016-MR16-7W-15D-6000K
- Input Voltage: 9-17V
- Wattage: 7W
- Color Temperature: 2700K, 4000K, 6000K
- Beam Angle: 15°

**MR16 GLASS LED BULB:**

- SKU: MR16-G-5W-COB-36D-2700K-DIM  
MR16-G-5W-COB-36D-4000K-DIM  
MR16-G-5W-COB-36D-6000K-DIM
- Input Voltage: 12V AC/DC
- Wattage: 5W
- Color Temperature: 2700K, 4000K, 6000K
- Beam Angle: 36°

**ORA RGB+CCT MR16 SMART BULB:**

- SKU: MILI-MR16-4W-RGBCB
- Input Voltage: 12V AC/DC
- Wattage: 4W
- Color Temperature CCT: 2700-6500K
- Beam Angle: 25°

