

KEY FOB DIMMER

Description:

The low voltage LED dimmer kit is a convenient device that helps you control the brightness of your 12V or 24V LED tape lights. It's easy to install and comes with a remote control that allows you to turn your lights on and off and adjust their brightness level. The dimmer uses RF wireless communication, allowing you to control your lights through walls and barriers. Its 20-meter 65ft control range gives you more flexibility in how you control your LED lights. With this dimmer kit, you can enjoy the perfect lighting for any occasion.



Features:

- SKU: CONT-DIM-REM
- Soft and stable, with no flickering.
- Used to adjust the brightness of single color LED lights.
- Compatible with single color 5050 and 3528 LED strip lights.
- Mini size remote control for easy installation.
- Easy-to-carry keychain remote with battery included.
- Compatible with 12V/24V dimmer receiver.
- Can handle up to 8 amps of power.
- Color:Black

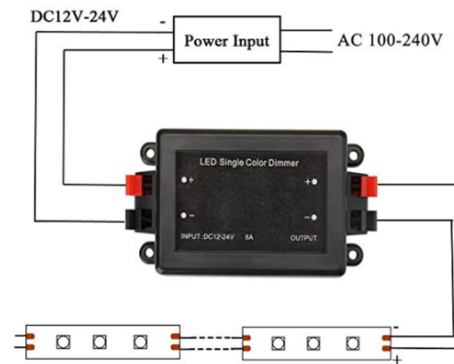


Dimension:



Width: 2 1/4"

Diagram:



Package:

- 1 x LED Single Color RF Dimmer
- 1 x Remote Controller
- 1 x User Manual

Technical Specification:

Input Voltage	12V ~24 V DC
Wattage	96W
Working temperature	-4-76°F
Light Color	White, or Single Colored
Output	1 CH
Output current	<8A
IP Rating	IP20
Item Weigh	3.2lbs
Remote Input	Battery, included
Up arrow button	to increase brightness
Down arrow button	to decrease brightness
Zone	1 Zone
Type	RF, Wireless
Model	dim-kit-3k
Dimension	4.53 x 2.2 x 1.34in
Control Range	65ft
Certificate	CE, RoHS
Warranty	1 Year