

T-GRID LIGHT FIXTURE

Description:

A Simple grid lighting system can save labor cost and reduce the building waste. These T-grid LED light fixtures are compatible with known industry standards for ceiling tiles whether its 9/16 inch or 15/16 inch. This T-grid LED lighting can replace 2ft or 4ft cross tee of the ceiling suspension system. It does not only reduce building materials and labor, but also creates an elegant look with continuous run.



Features:

- Seamless continuous run
- Fits most ceiling type
- Available in 2ft (10W) and 4ft (20W) lengths
- Minimum 80 colour rendering index
- Aluminum housing acting as the heat sink to maximize life

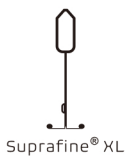


Technical Specifications:

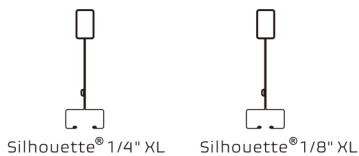
Type	9/16 inch	9/16 inch	15/16 inch	15/16 inch
Length	2 ft	4 ft	2 ft	4 ft
Wattage	10 W	20 W	10 W	20 W
Input Voltage	36 V DC	36 V DC	36 V DC	36 V DC
Color Temperature	3000K, 3500K, 4000K, 5000K	3000K, 3500K, 4000K, 5000K	3000K, 3500K, 4000K, 5000K	3000K, 3500K, 4000K, 5000K
Lumen Output	1150 lumens	2400 lumens	1300 lumens	2600 lumens
Lumens Per Watt	115 lm/W	120 lm/W	130 lm/W	130 lm/W
Dimming	0-10V Dimming	0-10V Dimming	0-10V Dimming	0-10V Dimming
Beam Angle	120°	120°	120°	120°
CRI	> 80	> 80	> 80	> 80
Power Factor	> 0.9	> 0.9	> 0.9	> 0.9
Life Time	50,000 hrs	50,000 hrs	50,000 hrs	50,000 hrs
Warranty	5 Years	5 Years	5 Years	5 Years

T-Grids Ceiling Compatibility:

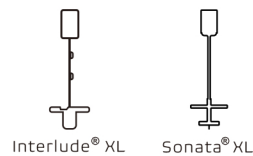
9/16" Flat



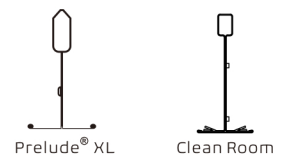
9/16" Slot



9/16" Interlude



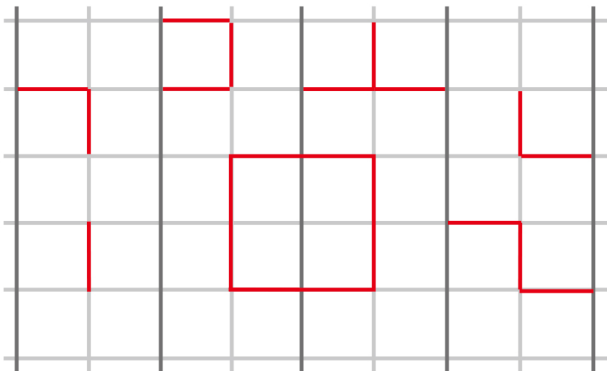
15/16" Flat



Custom Pattern:



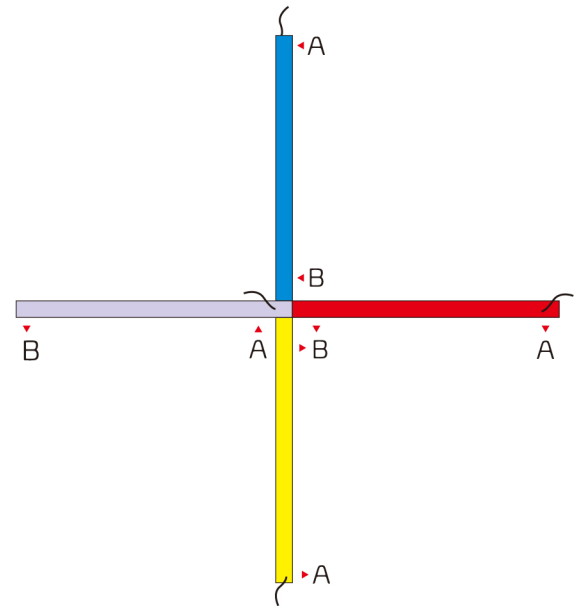
T-Grid LED can be installed in many configurations by replacing any of the cross tees between the main runners of the grid ceiling assembly.



- Examples of configurations
- Possible positions for T-grid LED light modules
- One-piece main runner cannot be replaced

It is free to create compelling spaces, and your space no longer has to be restricted to a single pattern on the ceiling. Custom pattern such as "L", "T", "+", "□" etc.

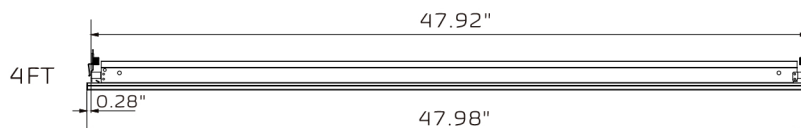
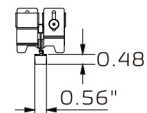
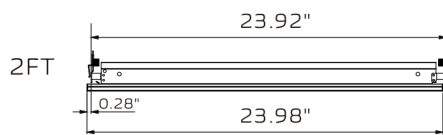
Custom Pattern Version



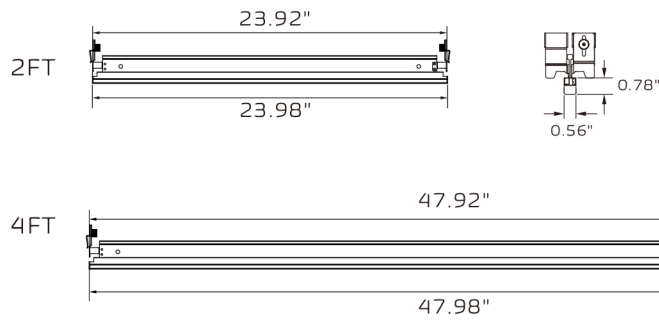
Remark: Only one A-end with wire in joint

Dimension:

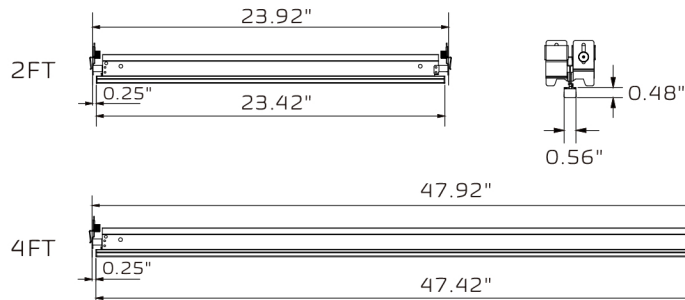
9/16" Flat



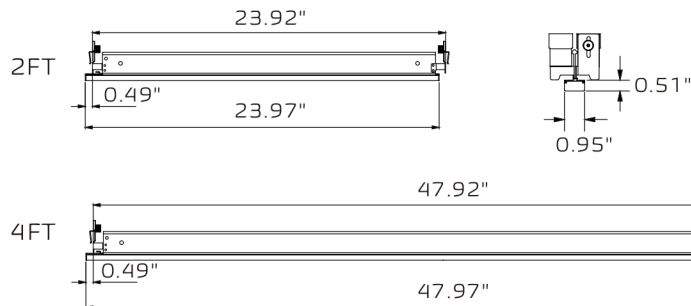
9/16" Slot



9/16" Interlude



15/16" Flat



Ordering Guide

Example: NUR-TB2-DM-35F

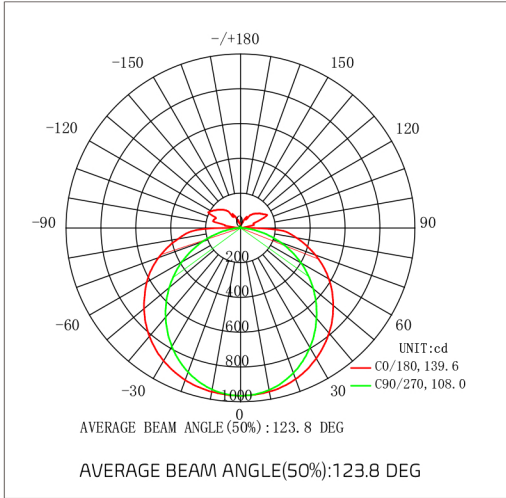
Type	Length	Dimming	Color Temperature	Flat/Slot
NUR				
	2 ft. 4 ft.		3000K 3500K 4000K 5000K	F S

Photometry

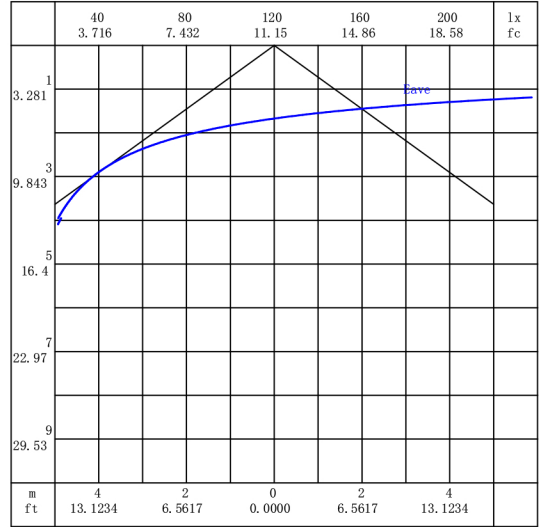
Fixture photometry has been conducted accredited testing laboratory in accordance with IESNA LM-79-08. IESNA LM-79-08 specifies the entire luminaire as the source resulting in a fixture efficiency of 100%. Result may vary per actual order.

Luminous Intensity Distribution Diagram

TB2-DM-XXF (Flat)



Average Illuminance Curve



Note: The Curves indicate the illuminated area and the average illumination when the luminaire is at different distance.

Zonal Flux Diagram

T	C0	C45	C90	C135	C180	C225	C270	C315
10	955.6	950.8	945.9	951.0	956.1	948.8	943.3	949.6
20	924.4	910.7	887.0	913.1	930.1	909.9	881.5	905.9
30	867.6	839.9	795.0	848.5	882.2	842.3	788.0	835.1
40	789.3	746.1	678.0	758.4	813.4	751.4	669.0	739.3
50	693.1	635.1	545.0	653.8	722.6	645.8	534.3	628.6
60	583.9	512.6	399.3	535.0	620.3	527.7	387.9	505.8
70	458.0	379.2	245.9	405.5	500.9	397.5	234.7	373.2
80	324.6	242.7	96.57	269.6	364.7	262.4	87.41	239.3
90	80.83	70.90	4.782	90.84	103.1	71.82	4.927	67.25
DEG	LUMINOUS INTENSITY:cd							

Zonal Lumen Summary

T	φzone	φtotal	%lum, lamp
0-10	91.38	91.38	2.5,2.5
10-20	263.4	354.8	9.72,9.72
20-30	403.8	758.5	20.8,20.8
30-40	496.0	1255	34.4,34.4
40-50	532.2	1787	49.49
50-60	511.9	2299	63.63
60-70	439.6	2738	75.1,75.1
70-80	324.00	3062	83.9,83.9
80-90	60.91	991.3	89.89
	UNIT:lm		

Coefficients of Utilization

ppc	80%			70%			50%			30%			10%			0
	50%	30%	10%	50%	30%	10%	50%	30%	10%	50%	30%	10%	50%	30%	10%	0
pw																0
pfc																0
RCR	RCR:Room Cavity Ratio			(CU)												
0.0	116	116	116	112	112	112	105	105	105	98	98	98	92	92	92	89
1.0	99	94	89	95	91	87	89	85	82	83	80	78	78	76	73	70
2.0	85	77	71	82	75	69	77	71	66	72	67	63	67	63	60	57
3.0	74	65	58	72	63	57	67	60	55	63	57	52	59	54	50	47
4.0	65	56	49	63	54	48	59	52	46	55	49	44	52	47	42	40
5.0	58	49	42	56	47	41	53	45	39	50	43	38	47	41	37	34
6.0	52	43	36	50	42	35	47	40	34	45	38	33	42	36	32	30
7.0	47	38	32	46	37	31	43	36	30	41	34	29	38	33	28	26
8.0	43	34	28	42	33	28	39	32	27	37	31	26	35	29	25	23
9.0	39	31	25	38	30	25	36	29	24	34	28	23	32	27	23	21
10.0	36	28	23	35	27	22	33	26	22	32	25	21	30	25	20	19

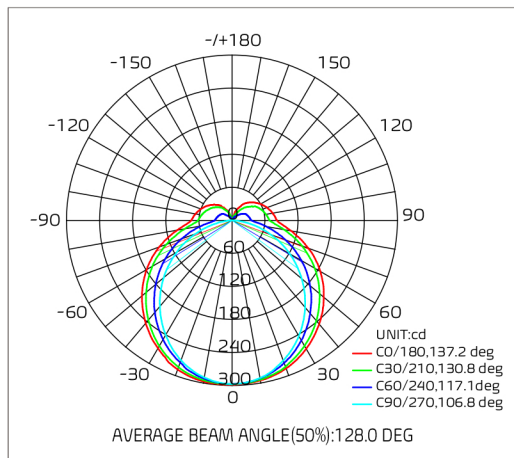


Photometry

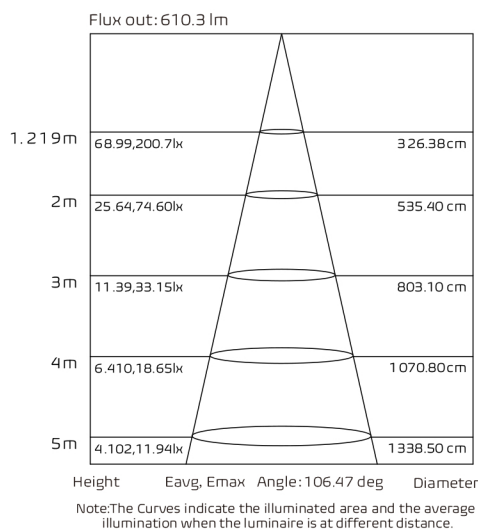
Fixture photometry has been conducted accredited testing laboratory in accordance with IESNA LM-79-08. IESNA LM-79-08 specifies the entire luminaire as the source resulting in a fixture efficiency of 100%. Result may vary per actual order.

Luminous Intensity Distribution Diagram

TB2-DM-XXS



Average Illuminance Curve



Zonal Flux Diagram

T	C0	C45	C90	C135	C180	C225	C270	C315
10	295.2	292.6	290.7	293.3	297.1	293.3	289.8	291.5
20	286.2	279.0	271.0	280.0	288.2	279.9	270.3	277.1
30	269.2	258.0	242.3	258.0	268.8	257.4	240.8	255.3
40	245.7	230.0	206.2	228.6	243.6	227.7	203.8	226.8
50	217.4	197.1	165.0	193.9	213.5	192.9	162.2	193.4
60	184.6	160.2	120.7	155.5	178.9	154.1	116.3	155.9
70	147.0	120.1	74.5	114.2	140.2	112.6	69.35	115.5
80	108.2	79.96	29.44	73.39	100.4	72.28	24.87	75.81
90	81.66	53.09	0.0606	46.95	74.29	48.08	0.0211	48.83
DEG	LUMINOUS INTENSITY:cd							

Zonal Lumen Summary

T	φzone	φtotal	%lum, lamp
0-10	28.15	28.15	2.4,0.42
10-20	81.06	109.2	9.3,1.63
20-30	123.8	233.0	19.8,3.47
30-40	151.5	384.5	32.7,5.73
40-50	162.0	546.5	46.5,8.15
50-60	155.1	701.6	59.7,10.5
60-70	132.0	833.6	79.2,13.9
70-80	96.80	930.4	84.4,14.8
80-90	60.91	991.3	88.4,15.5
	UNIT:lm		

Coefficients Of Utilization

ppc	80%			70%			50%			30%			10%			0
	50%	30%	10%	50%	30%	10%	50%	30%	10%	50%	30%	10%	50%	30%	10%	0
pw																0
pfc																0
RCR	RCR:Room Cavity Ratio						(CU)									0
0.0	20	20	20	19	19	19	18	18	18	17	17	17	15	15	15	15
1.0	17	16	15	16	16	15	15	15	14	14	14	13	13	13	12	12
2.0	15	13	12	14	13	12	13	12	11	12	11	11	11	11	10	9
3.0	13	11	10	12	11	10	11	10	9	11	10	9	10	9	8	8
4.0	11	10	8	11	9	8	10	9	8	9	8	7	9	8	7	7
5.0	10	8	7	10	8	7	9	8	7	8	7	6	8	7	6	6
6.0	9	7	6	9	7	6	8	7	6	8	6	5	7	5	5	5
7.0	8	7	6	8	6	5	7	6	5	7	6	5	6	5	5	4
8.0	7	6	5	7	6	5	7	5	5	6	5	4	6	5	4	4
9.0	7	5	4	7	5	4	6	5	4	6	5	4	5	4	4	3
10.0	6	5	4	6	5	4	6	5	4	5	4	4	5	4	3	3