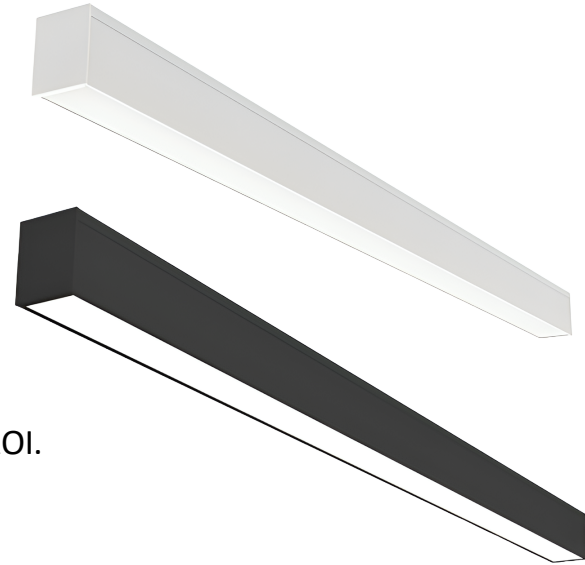


# ARCHITECTURAL LINEAR STRIP LIGHT

### Description:

Architectural Linear Strip is a modern linear light fixture that is versatile, and spec-grade. It's versatility allows specifiers, installers and even the end user to be excited over it's design. It can be used for direct, indirect or both simultaneously. With 5 color temperatures it can be adjusted to for both up and down light independently. Brightness levels for both up and down can be adjusted independently. With dozens of accessories that allow for a multitude of use-cases and applications.



### Features:

- Easy and quick installation reduces labor cost and optimizes ROI.
- 1200W Max linkable wattage
- 5CCT Selectable ( 3000K/3500K/4000K/5000K/5700K )
- Adjustable Light Distribution
  - i) UP: 0% & DOWN: 100%
  - ii) UP: 70% & DOWN: 30%
  - iii) UP: 50% & DOWN: 50%
  - iv) UP: 30% & DOWN: 70%
  - v) UP:100% & DOWN: 0%
- Mounting Options: Suspension/Recessed/Surface/Wall Mount



### Applications:

- Offices
- Conference rooms
- Hallways
- Educational facilities



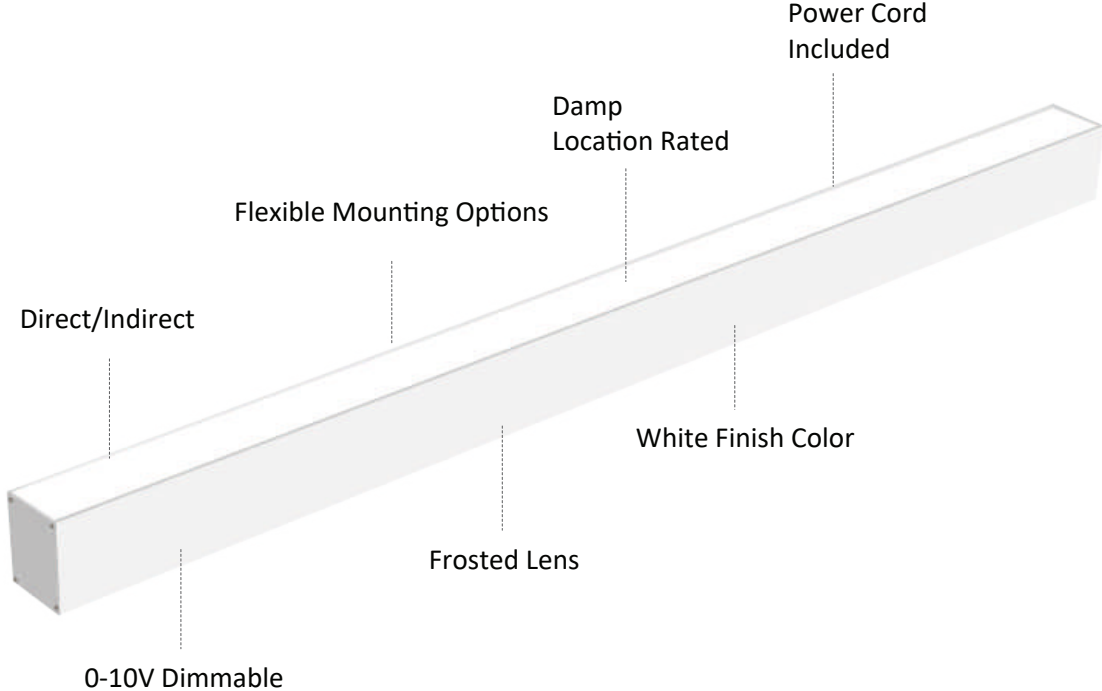
Up Light



Down Light

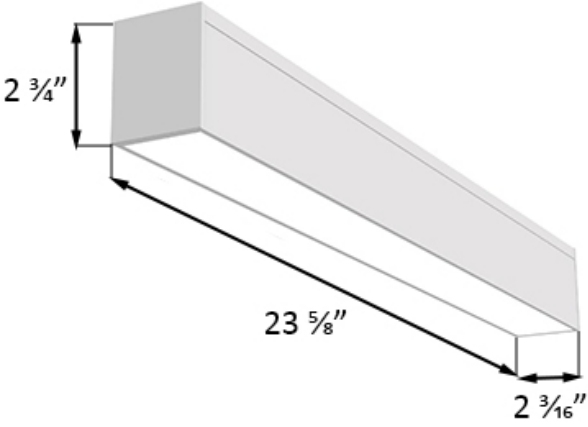


CCT Changing and Wattages Tunable

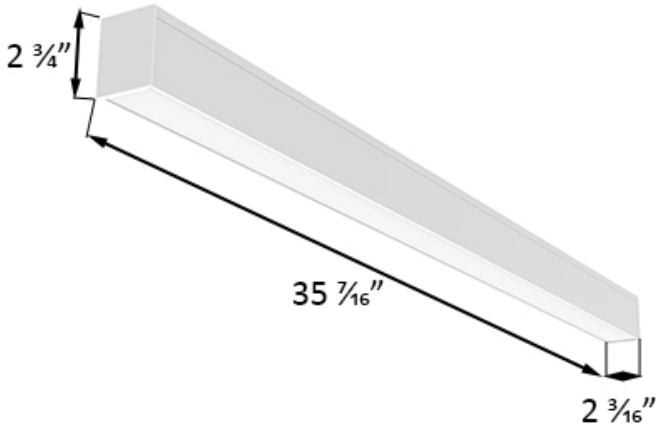


### Dimensions:

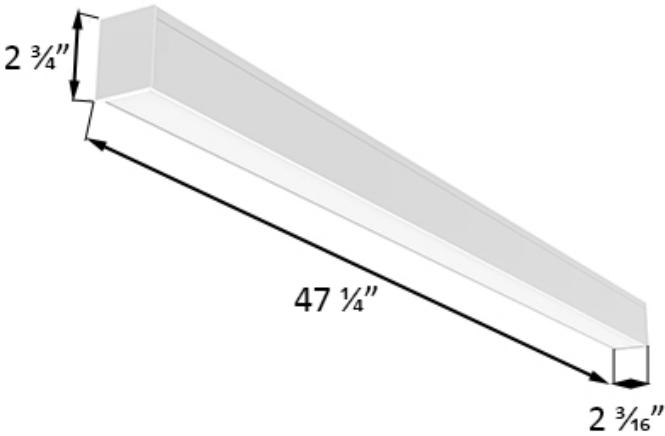
**2ft**



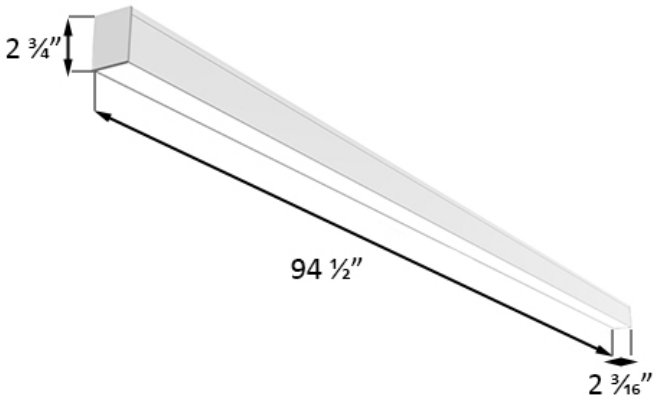
**3ft**



**4ft**



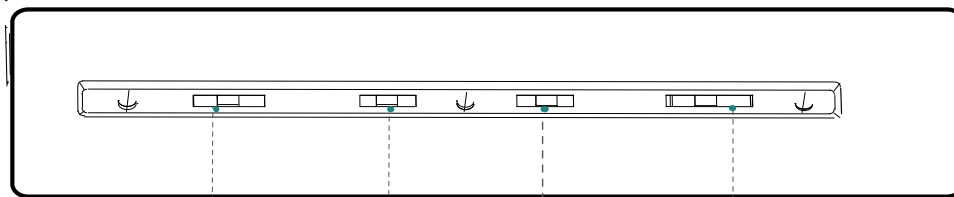
**8ft**



## Technical Specifications:

<b>Watts</b>	30W	35W	50W	100W
<b>Length</b>	2ft	3ft	4ft	8ft
<b>Lumens</b>	3250LM	4550LM	6500LM	13000LM
<b>Input Voltage</b>	120-277V/ 120-347V			
<b>Lumens Per Watt</b>	130 LM/W			
<b>Color Temperature</b>	5CCT Selectable ( 3000K/3500K/4000K/5000K/5700K )			
<b>CRI</b>	83+			
<b>Dimmable</b>	0-10V			
<b>Max Linkable Watt</b>	600W (Regular) 1200W can be customized			
<b>Finish Color</b>	White/Black			

## DIP Switches Guide:



**CCT Selectable**  
30K/35K/40K/50K/57K(preset at 50K)

**Watt Selectable**  
L(90deg): 40W 35W 30W 25W(preset at 40w)  
L(120deg): 40W 35W 30W 25W(preset at 40w)  
T: 60W 55W 50W 45W(preset at 60W)  
X: 80W 75W 70W 65W(preset at 80W)

**Up&Down Light Distribution**

- ① Up: 100% & Down: 0%
- ② Up: 70% & Down: 30%
- ③ Up: 50% & Down: 50%OW
- ④ Up: 30% & Down: 70% (preset)
- ⑤ Up: 0% & Down: 100%

## Accessories:



Surface Mount



M3 x 20 self-tapping  
screw x 4



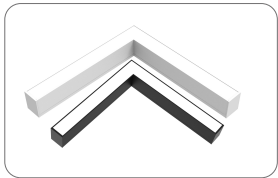
Plastic anchor x 4

**ORDERING GUIDE(Architectural Linear Strip Light)**

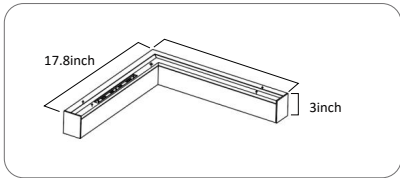
Example: SUN-ST-2ft-30W-5CCT-WHT

Strip Light	Length		Watts		Color Temperature	Finish
SUN-ST	2ft	2 feet	30W	30 Watts	5CCT	WHT WHITE BLK BLACK
	3ft	3 feet	35W	35 Watts		
	4ft	4 feet	50W	50 Watts		
	8ft	8 feet	100W	100 Watts		

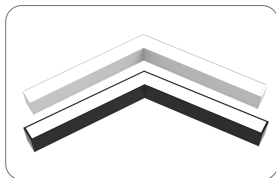
**Accessories(Optional):**



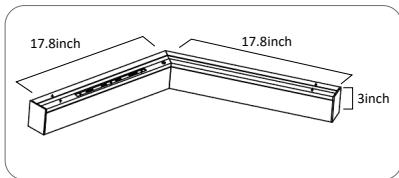
**90° Connector**  
Watts:40W



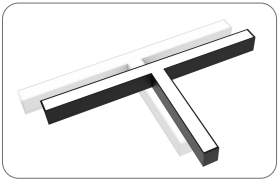
**Dimensions**



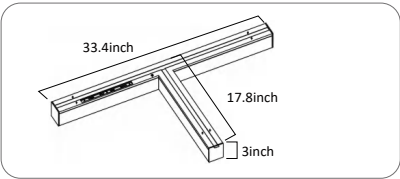
**120° Connector**  
Watts:40W



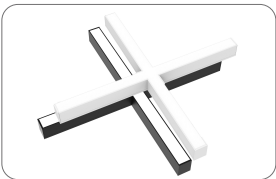
**Dimensions**



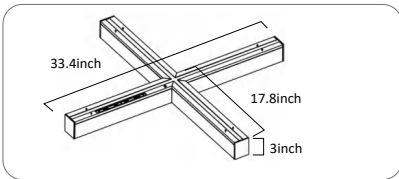
**T Connector**  
Watts:60W



**Dimensions**



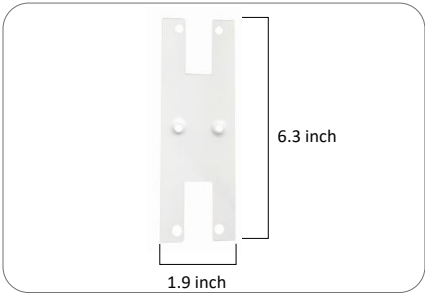
**X Connector**  
Watts:80W



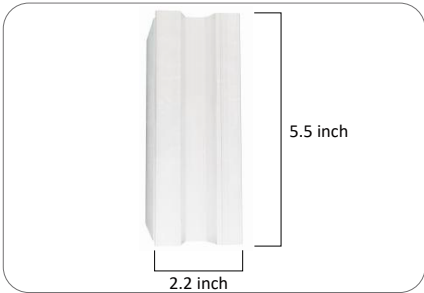
**Dimensions**



**Continuous Run Kit**



**Dimensions**



**Dimensions**

**ORDERING GUIDE(Connector)**

Example: SUN-CONN-ST-5CCT-L90-WHT

Strip Light Connector	Color Temperature	Connector Type		Finish
SUN-CONN-ST	5CCT	L90	90° L Shape	WHT WHITE BLK BLACK
		L120	120° L Shape	
		T	T Shape	
		X	X Shape	
		I	Continuous Run Kit	

## Frosted Lens for a Seamless / Continuous Run



**33FT Per Roll**

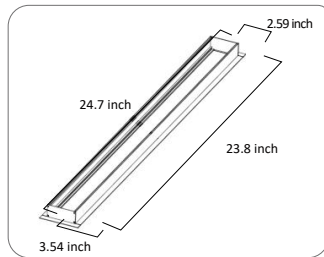
SKU:

SUN-FLEXIBLE-CUTT-CVR

## Frame Recessed Mount



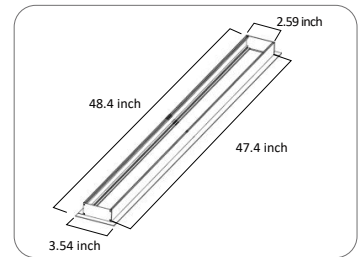
**Length 2 ft**



**Dimensions**



**Length 4 ft**



**Dimensions**

## ORDERING GUIDE(Frame Recessed Mount)

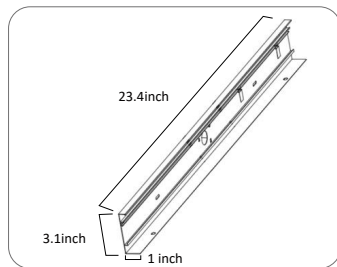
Example: SUN-MNT-FRAME-RECSSED-2FT-WHT

Strip Light Frame Recessed Mount	Length <input type="text"/>	Finish <input type="text"/>
SUN-MNT-FRAME-RECSSED	2FT 4FT	WHT WHITE BLK BLACK

## Wall Mount



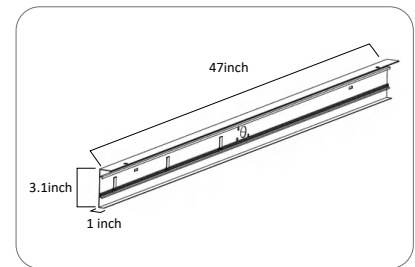
**Length 2 ft**



**Dimensions**



**Length 4 ft**



**Dimensions**

## ORDERING GUIDE(Wall Mount)

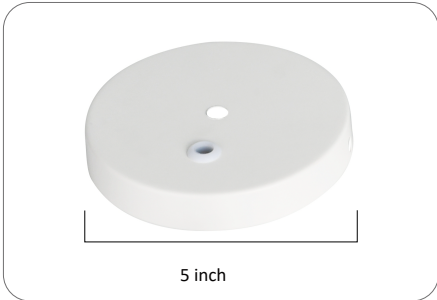
Example: SUN-MNT-WALL-2FT-WHT

Strip Light Wall Mount	Length <input type="text"/>	Finish <input type="text"/>
SUN-MNT-WALL	2FT 4FT	WHT WHITE BLK BLACK

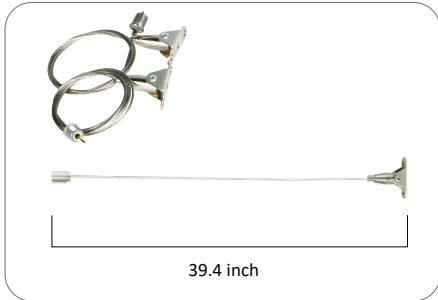
**Suspension Mount**



**SKU:**  
**SUN-MNT-CNPY-KIT**

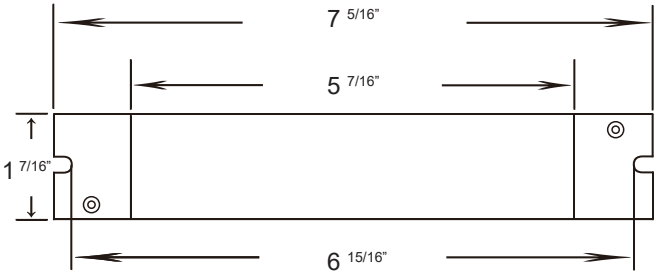


**Dimensions**



**Dimensions**

**Emergency Battery Backup**

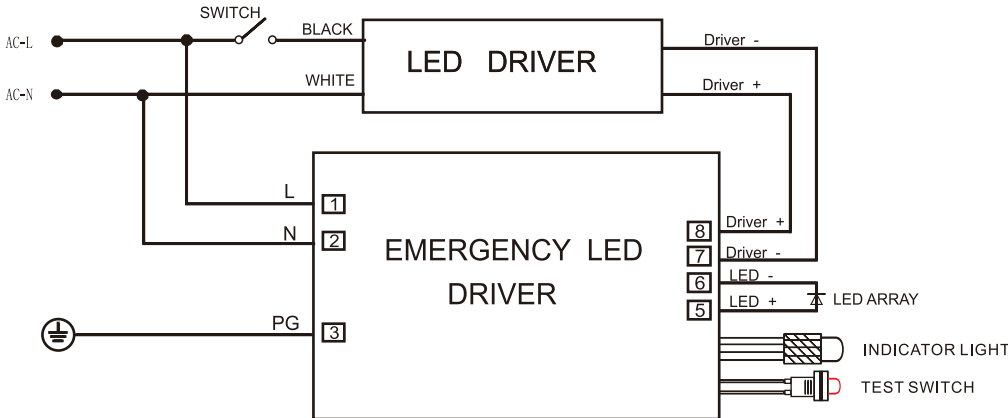


**Dimensions**

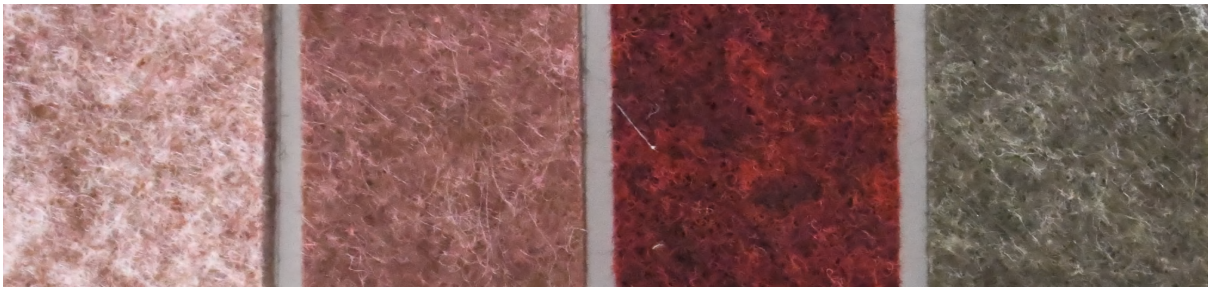
Emergency Battery backup can only be used with 4ft and 8ft length of architectural linear strip light.

**SKU: SUN-EM-Battery-Backup**

**Wiring Diagram**



**Acoustic Finish Options:**

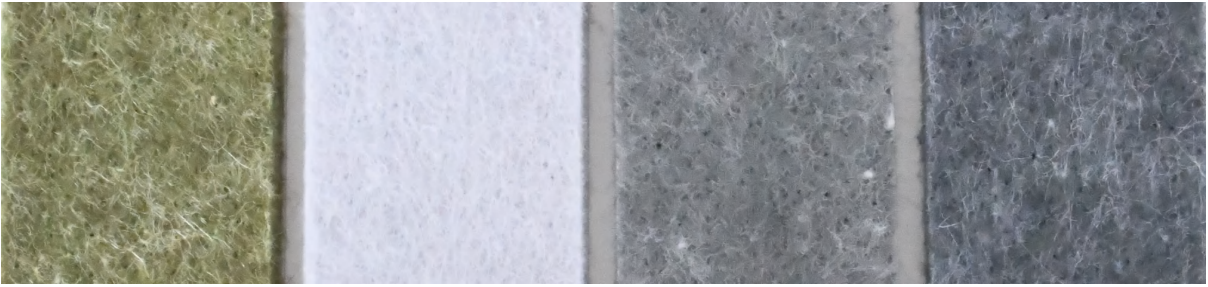


ZQ37

ZQ38

ZQ39

ZQ40



ZQ41

ZQ42

ZQ43

ZQ44

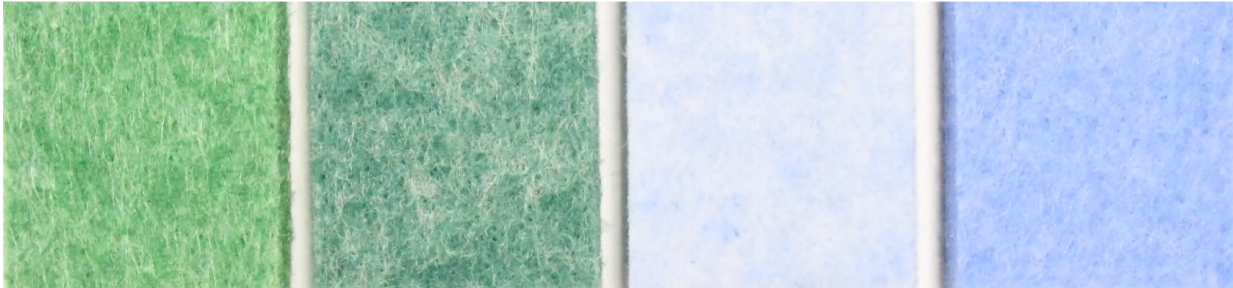


ZQ45

ZQ46

ZQ47

ZQ48

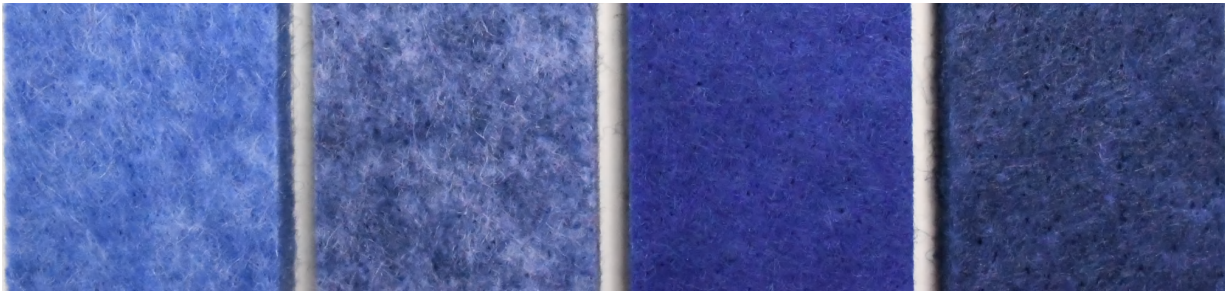


ZQ17

ZQ18

ZQ19

ZQ20



ZQ21

ZQ22

ZQ23

ZQ24



ZQ01

ZQ02

ZQ03

ZQ04



ZQ05

ZQ06

ZQ07

ZQ08



ZQ09

ZQ10

ZQ11

ZQ12



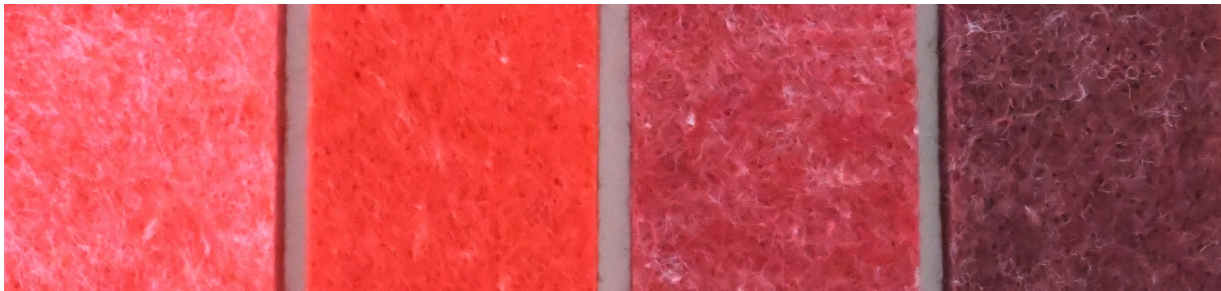
ZQ25

ZQ26

ZQ27

ZQ28



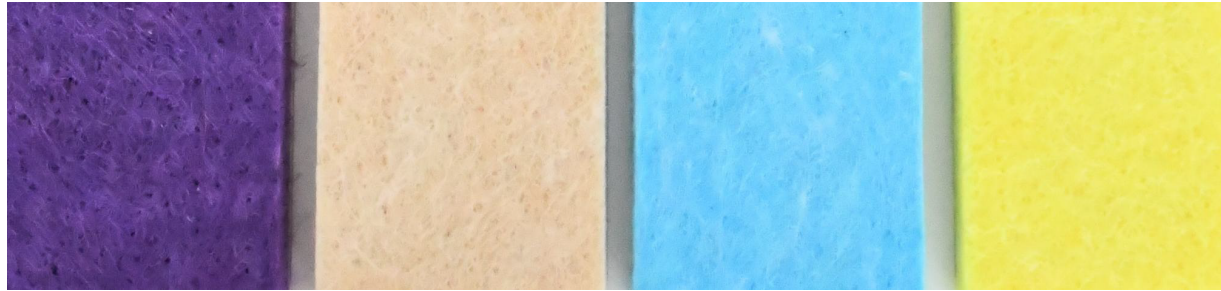


ZQ29

ZQ30

ZQ31

ZQ32



ZQ33

ZQ34

ZQ35

ZQ36



ZQ37

ZQ37

ZQ37

ZQ37

### ORDERING GUIDE(Acoustic Finish Options)

Example: SUN-ACO-ZQ19

Acoustic Panel	Finish <input type="text"/>
SUN-ACO	ZQ01 ZQ02 ZQ03 ZQ04 ZQ05 ZQ06 ZQ07 ZQ08 ZQ09 ZQ10 ZQ11 ZQ12 ZQ13 ZQ14 ZQ15 ZQ16 ZQ17 ZQ18 ZQ19 ZQ20 ZQ21 ZQ22 ZQ23 ZQ24 ZQ25 ZQ26 ZQ27 ZQ28 ZQ29 ZQ30 ZQ31 ZQ32 ZQ33 ZQ34 ZQ35 ZQ36 ZQ37 ZQ38 ZQ39 ZQ40 ZQ41 ZQ42 ZQ43 ZQ44 ZQ45 ZQ46 ZQ47 ZQ48